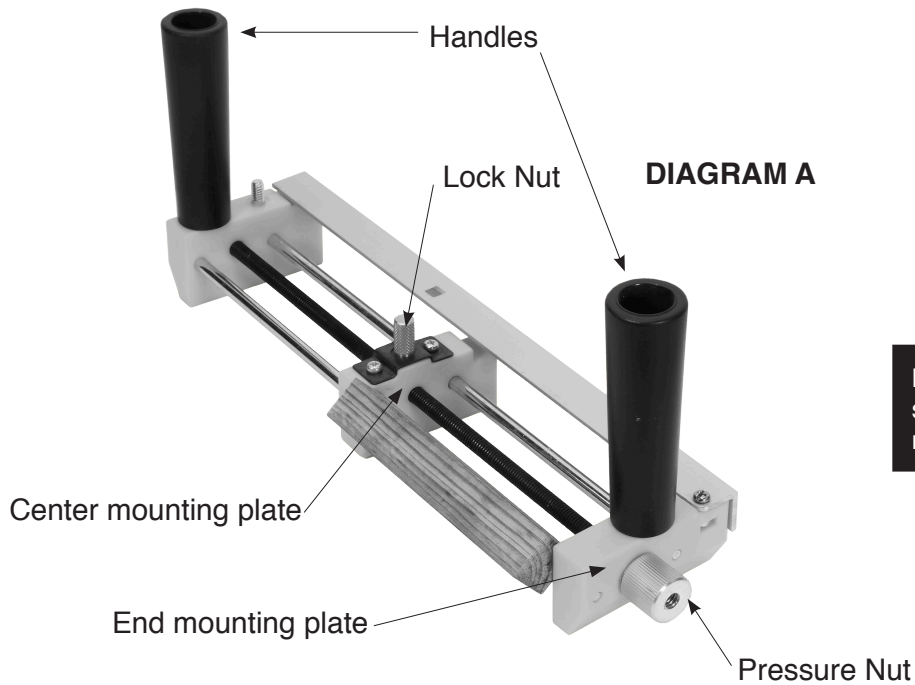


Cutting Corners Jig

This Small Parts Mitre Jig is ideal for passing many types of small parts through a moving cutter or blade. This jig is also suitable for mounting square blanks and cutting the corners for pre-rounding prior to turning on a lathe.



NOTE: Kit may contain some parts that are not required for corner cutting

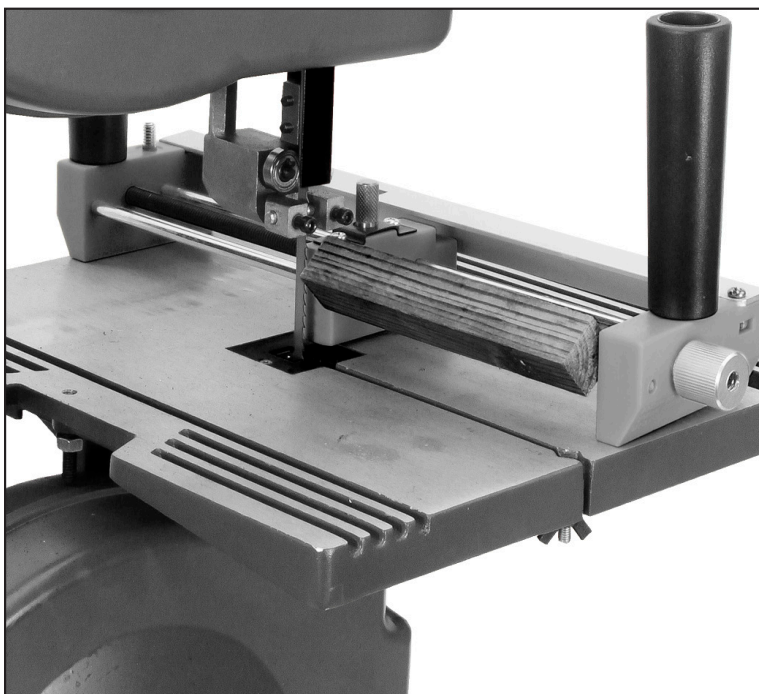


DIAGRAM B

1. Lock blank as shown (Dia.B)
2. Remove handles if necessary
3. Blank may be located in many different areas of the jig, depending on size of the blank
4. Guide corner of the blank thru the blade.
5. Depending on your saw-may be used on either size of blade. (Dia.C)
6. If one or both handles get in the way they should be removed.

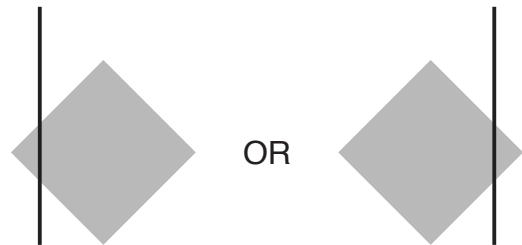


DIAGRAM C