

Vesper Stylus Click Pen Kit

Kit Features:

- Dual purpose click pen & stylus
- Easy to turn with straight tube
- Minimum parts - easy to assemble
- Available in multiple finishes
- Overall Length: 5-3/8"
- Uses Parker® style refills
- Tube size: 10mm
- Replacement stylus tips available #PKVESTIP (3pack)

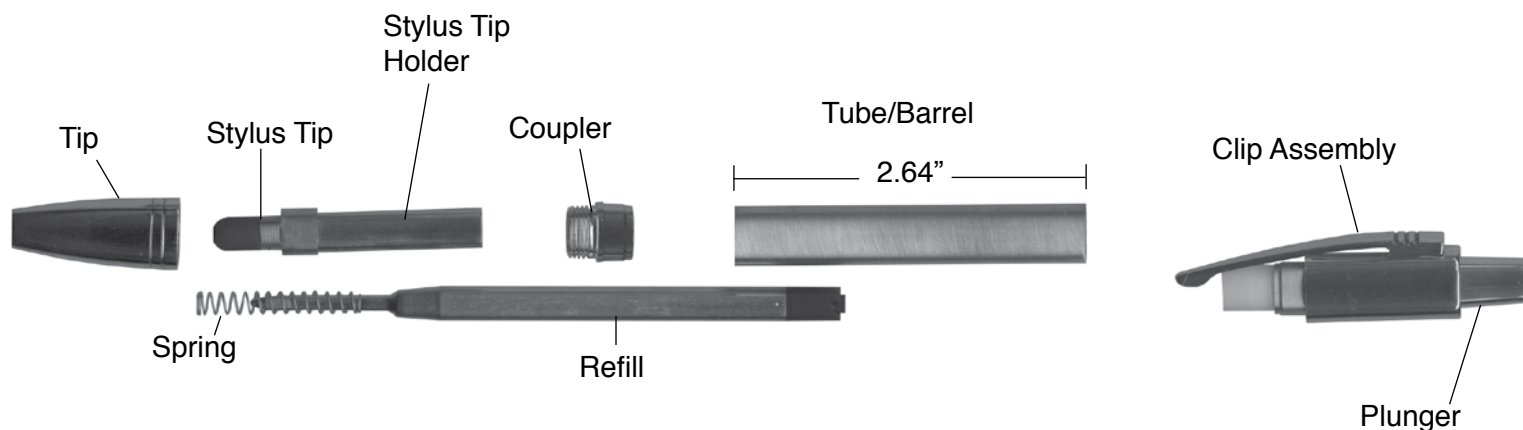
Required Accessories:

- 7mm Pen Mandrel
- Drill Bit:#PK10-10
- Bushing set(2 pc): #PKVESBU
- Barrel Trimming set: #PKTRIM10
- Live Tailstock Center
- 2 Part Epoxy Glue or Insta Cure (Cyanoacrylate) Glue
- Pen Blank: Minimum Size - 5/8" x 3" Long



Note: Retract pen tip when using as stylus

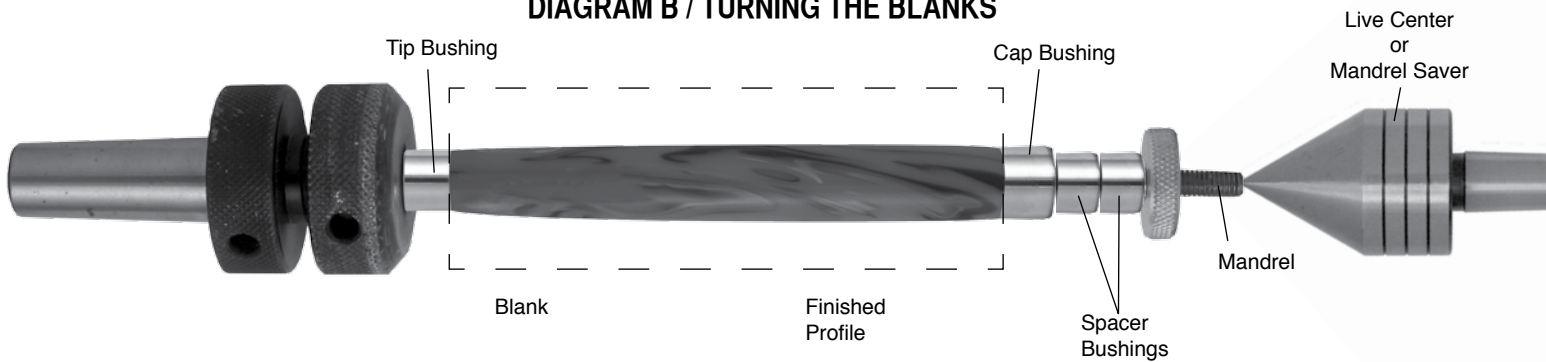
DIAGRAM A / PARTS LAYOUT



Preparing the Blank:

- Cut 1 blank to the length of the tube and add 1/16" for squaring off.
- Drill a 10mm hole lengthwise through the blank.
- Spread glue over the tube, insert the blank with a twisting motion to spread the glue evenly inside.
- Center the tube lengthwise inside the blank.
- When the glue is dry, square the ends of the blank. Use a 10mm barrel trimmer, or a universal pen blank squaring jig with a power disc sander. Take the excess material down flush with the ends of the brass tube. (do not trim beyond the length of the tube since this may interfere with operation of the mechanism and assembly). Use a barrel trimmer to clean the inside of the tube.

DIAGRAM B / TURNING THE BLANKS

**Turning the Blank**

- Mount the bushings and blanks according to diagram B.
- Thread on the knurled nut and hand tighten to hold all components in place.
- Slide the tailstock up snugly against the mandrel shaft inserting the live center point into the mandrel dimple, lock in place.
- Hand tighten the quill adjustment to firm up the mandrel. (DO NOT overtighten, it could damage the mandrel.
- Using sharp tools, turn the blank down close to the bushing diameter. Turn the barrel (straight or to a profile of your choice)
- Sand the blank down to be flush with the bushings gradually increasing the sandpaper grits.
- Finish the barrel with your choice of polish. Allow sufficient time for the polish to cure. Refer to polish instructions.

Assembly

- Layout parts according to diagram A
- Press coupler into either end of the barrel.
- Unscrew and remove the click/plunger.
- Press the click/clip assembly into the opposite end of the barrel.
- Insert the refill, black end in first into the opening at the coupler, push up until the thread is visible. Thread back in to replace the plunger.
- Screw the tip assembly with the stylus tip holder installed over the coupler.
- To use the pen click on the plunger to advance or retract the refill tip.
- Use the stylus tip when the refill tip is in the retracted position.
- To replace refill, unscrew tip and remove/replace refill.
- To replace stylus tip (when worn) - pull off tip - replace with replacement tip #PKVESTIP

Diagram C / Bushings #PKVESBU