

2mm Mechanical Pencil Kit

Kit Features:

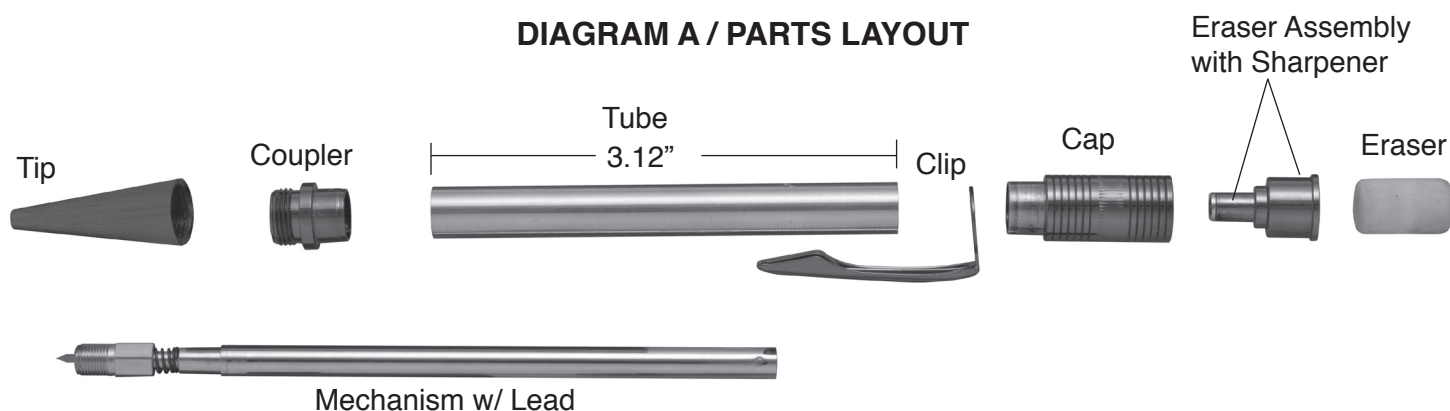
- Easy to Turn With Straight Tubes
- Minimal Parts--easy to assemble
- Available in multiple finishes
- Overall Length: 5-7/16"
- Replacement 2mm lead available: PKPOWLEAD (20pc. Pack)
- Replacement erasers available: PKBFE (5pc. Pack)
- Includes Sharpener

Required Accessories:

- 7mm Pen Mandrel
- Drill Bit: PKEXEC-38
- Bushing Set(2 pc): PKFPBU
- Barrel Trimming set: PKTRIM38 or 3/8" sleeve from PKTRIMSET.
- Live Tailstock or Mandrel Saver
- 2 part Epoxy or Thick CA (Cyanoacrylate) Glue
- Pen Blank Minimum Size: 3-1/4"

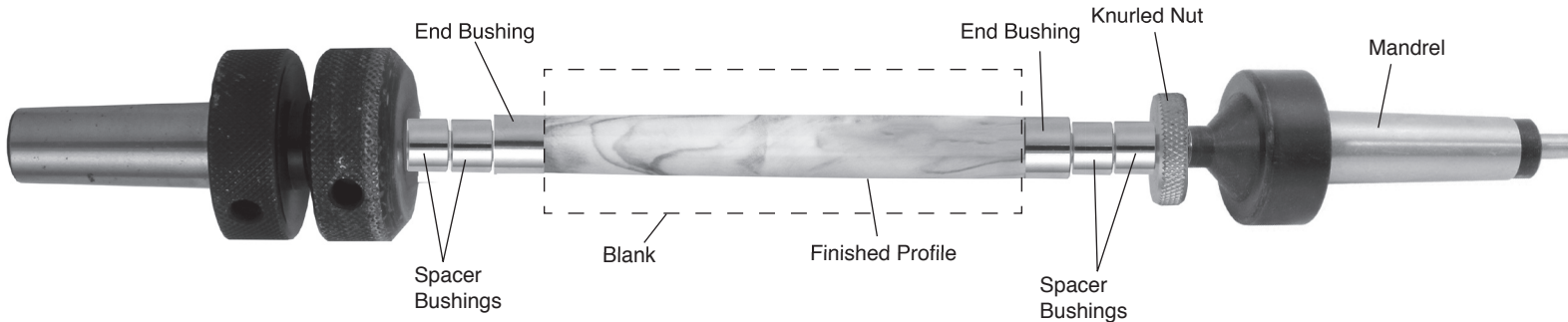


DIAGRAM A / PARTS LAYOUT



Preparing the Blank:

- Cut 1 blank to the length of the tube, adding 1/16" for squaring off.
- Drill 3/8" hole lengthwise through the blank.
- Spread glue over the tube, insert the tube into the blank with a twisting motion to spread the glue evenly inside.
- Center the tube lengthwise inside the blank.
- When the glue is dry, square the ends of the blanks, making sure the trimmed ends are 90° to the tube. Use a 3/8" barrel trimmer, or a pen blank squaring jig with a 3/8" sleeve on a disc sander. Take the excess material down flush to the ends of the tubes. Do not trim past the end of the tube since this may interfere with the operation of the mechanism and assembly. Use a barrel trimmer to clean the inside of the tube.

DIAGRAM B / TURNING THE BLANKS**Turning the Blank**

- Mount the bushings and blanks according to diagram B.
- Thread on the knurled nut and hand tighten to hold all components in place.
- Slide the Tailstock up snugly against the Mandrel shaft, inserting the live center point into the Mandrel dimple. Lock Tailstock.
- Hand tighten the quill adjustment on the Tailstock to steady the mandrel. Do not overtighten, it could damage the mandrel shaft.
- When using Mandrel Saver, there is no need for extra spacer bushings or the knurled nut. Slide tailstock directly against bushings and tighten until blank and bushings are secure.
- Using sharp tools, turn the blank down close to the bushing diameter. Turn the barrel straight or to a profile of your choice.
- Sand the blank down to be flush with the bushings, gradually increasing sandpaper grits.
- Finish the barrel using your choice of polish. Allow Sufficient time for the polish to cure—refer to polish instructions.

Assembly

- Layout parts according to diagram A
- Insert Cap into Clip and press into either end of the barrel.
- Press Tip Coupler into opposite end of the barrel.
- Remove the Eraser Assembly from the top of the mechanism and screw mechanism into tip.
- Insert Mechanism into pencil through the Tip Coupler and thread Tip onto Coupler.
- Insert Eraser Assembly into cap and press down to seat into back of Mechanism.
- To operate, push Eraser and release until desired amount of lead is extended. To retract, press and hold Eraser while pressing lead back into tip.
- To sharpen, extend lead approximately 3/8", remove Eraser Assembly from Cap, insert lead into hole in bottom of Eraser Assembly and twist.

Diagram C / Bushings #PKFPBU