

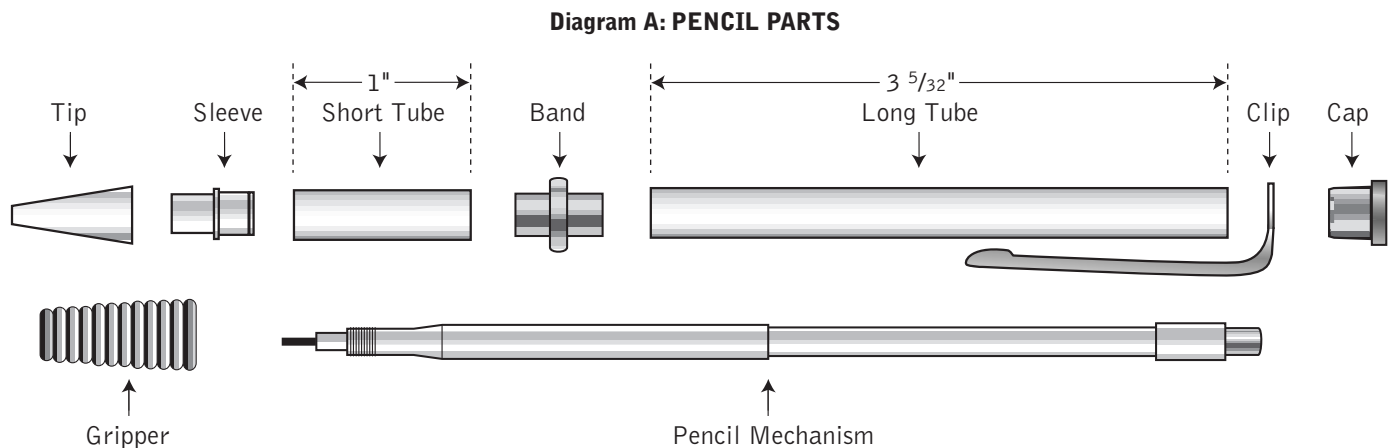
#PKLONGPCL *Longwood Pencil Kit*

Kit Features:

- Heavy 24 kt gold plating with epoxy coating
- Smooth click operation / new improved “Super-Feed” lead mechanism
- Made to match as a set with pen components
- Contemporary clip design
- Designed to show maximum wood exposure
- Uses 0.7mm lead
- Overall length : 5 ¹¹/₁₆"

Required Accessories:

- 7mm long mandrel (#PKM-AL or appropriate).
- 3 piece bushing set #PKLONGBU
- 7 mm drill bit #PK-7MM
- 7mm barrel trimmer #PKTRIM
- 2 part epoxy glue or insta-cure (cyanoacrylate) #PKGLUE1 or PKGLUE2



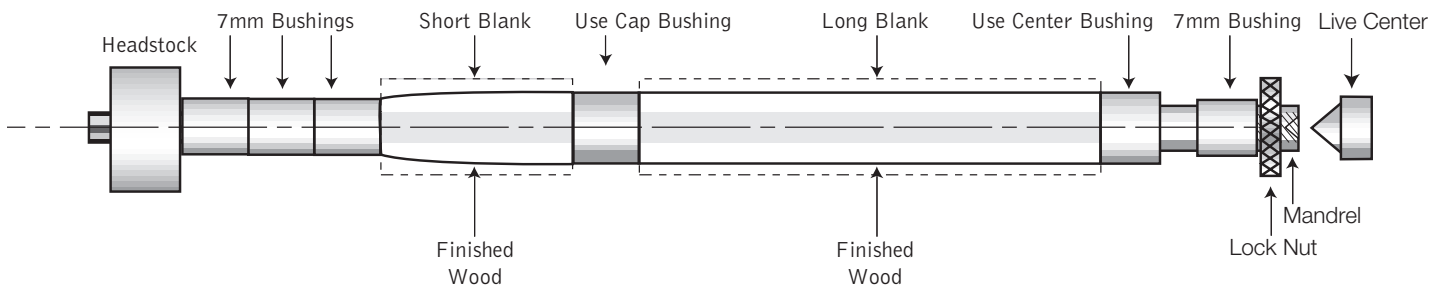
Notes:

- If you are using the rubber gripper supplied, skip all references to placing the wood on the short tube.
- Use pre-drilled blanks to avoid drilling through a 3 ³/₁₆" long blank.

PREPARING THE BLANKS

- Use 5/8" square blanks (or pre-drilled super blanks to avoid the drilling process)
- Cut the blanks down to the size of the brass tubes. (add 1/16" for squaring off)
- Drill a 7mm hole, lengthwise through each blank
- Spread glue over the tubes. Insert into the blanks with a twisting motion to spread the glue evenly inside. Center tubes lengthwise in the blanks.
- When glue dries, use a barrel trimmer to square the ends of each blank. Take the wood down, flush to the brass tube.

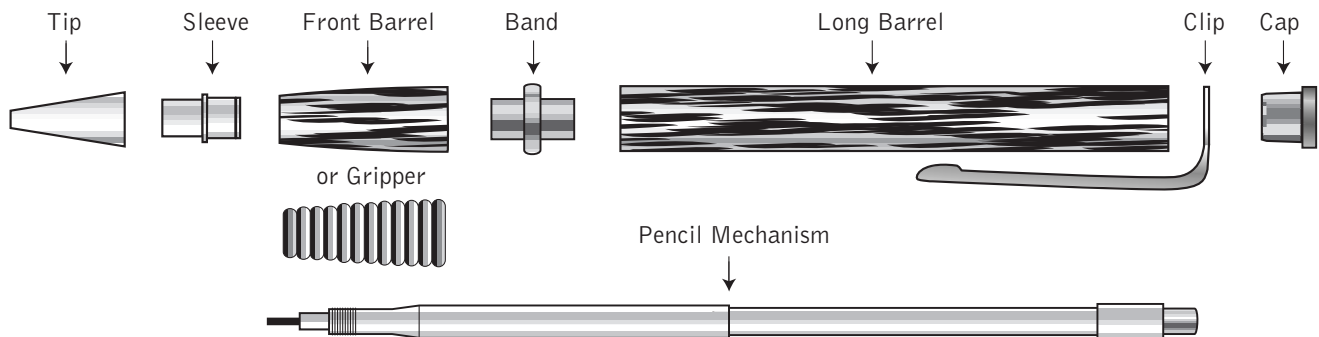
Diagram B: TURNING THE BLANKS



TURNING THE BLANKS

- Place three 7mm spacer bushings on the mandrel (the last one next to the short blank being the tip bushing). Follow with the short blank. Slide the cap bushing on next, and follow with the long blank then the center bushing, wide end first. Use additional bushing to fill the space on the shaft up to the threads.
- Thread on the lock nut and hand tighten to hold all items in place.
- Slide the tail stock snug to the mandrel shaft (Do not over tighten, it could damage the mandrel) lock in place.
- Turn wood down flush with the bushings, using the lathe tools and gradual higher grits of sandpaper.
- Finish the wood with friction polish or use PSI clear hi-gloss project finish #HGPF, off the lathe for a brilliant finish.

Diagram C: PENCIL ASSEMBLY



Note: Line up finished parts according to diagram C.

PENCIL ASSEMBLY

- Press the extension of the center band into the wide end of the front barrel.
- Press the opposite end of the band extension into the long barrel.
- Insert the cap into the clip. Press this assembly into the open end of the long barrel.
- Insert and press the sleeve, wide recessed end in first into the front end of the front barrel.
- Insert the pencil mechanism, tip end in first through the cap until the tread is showing through the sleeve.
- Screw on the tip end tight.
- Click the plunger gently for the lead to extend. Click and hold down plunger, push the lead back into the mechanism to retract the lead.
- Pull the plunger cap out to use the eraser.
- To replace or add lead, just pull the eraser out and drop 0.7mm leads into the storage compartment. Place the plunger cap back. Click until new lead is exposed.

BUSHINGS #PKLONGBU

