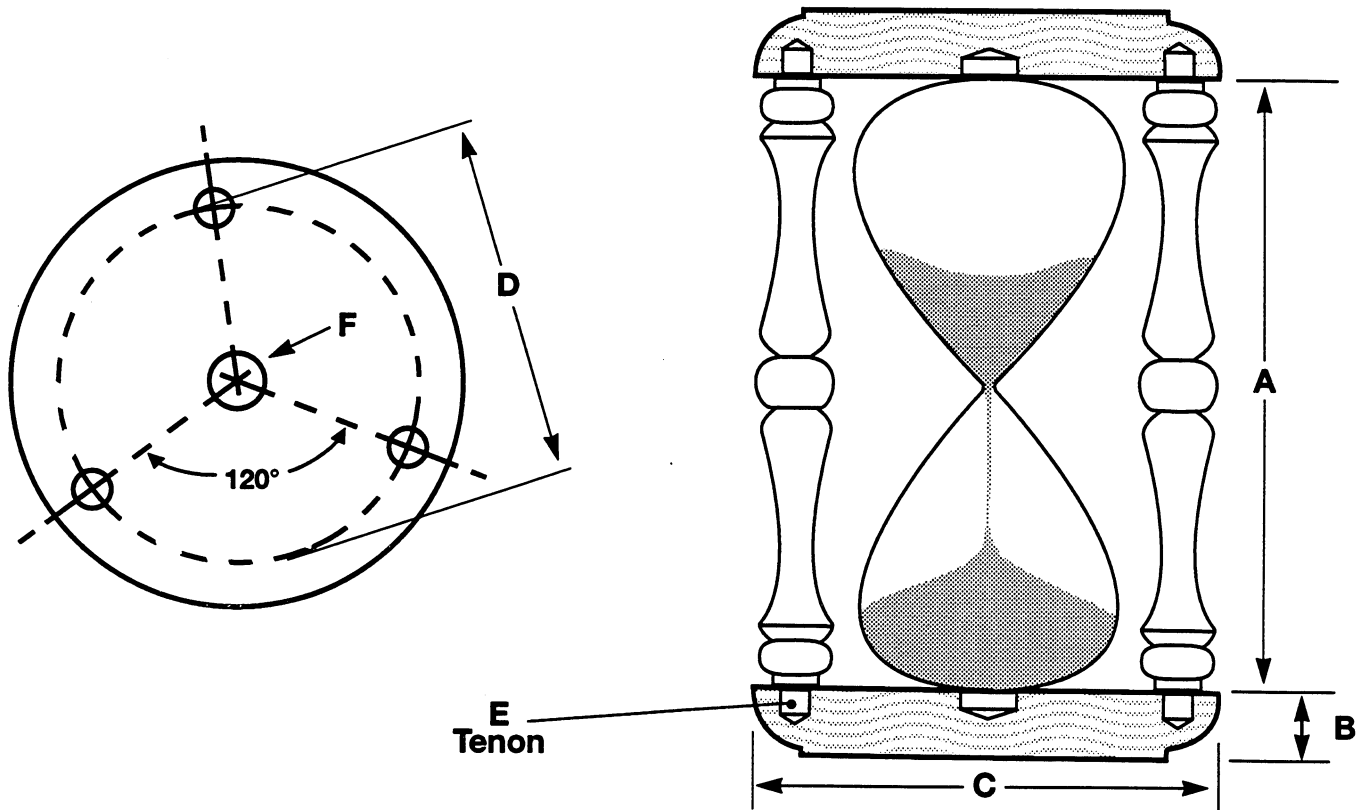


**Model #HOUR3, HOUR10, HOUR60
Hourglasses**

Typical Hourglass Mount



Note:

Hourglasses are hand blown, therefore not each unit is identical in size. Use the measurements below as a guide only. Measure your hourglass for variances from the nominal size and adjust your measurements accordingly.

Suggested Construction Measurements

	<u>HOUR3 & 10</u>	<u>HOUR60</u>
A Spindle Length	4-1/2"	7-1/2"
B Base Thickness	3/4"	7/8"
C Base Diameter	3-3/4"	5-1/4"
D Spindle Locating Circle	2-7/8" Dia.	4" Dia.
E Tenon	5/16" x 5/16" L	9/16" x 9/16" L
F Glass Mounting Holes	7/16" x 1/4" Deep	9/16" x 5/16" Deep

© 1996

PSI WOODWORKING PRODUCTS, Caroline and Comly Roads, Philadelphia, PA 19154-2106