

# Antique Style Salt & Pepper Mill

## Kit Features:

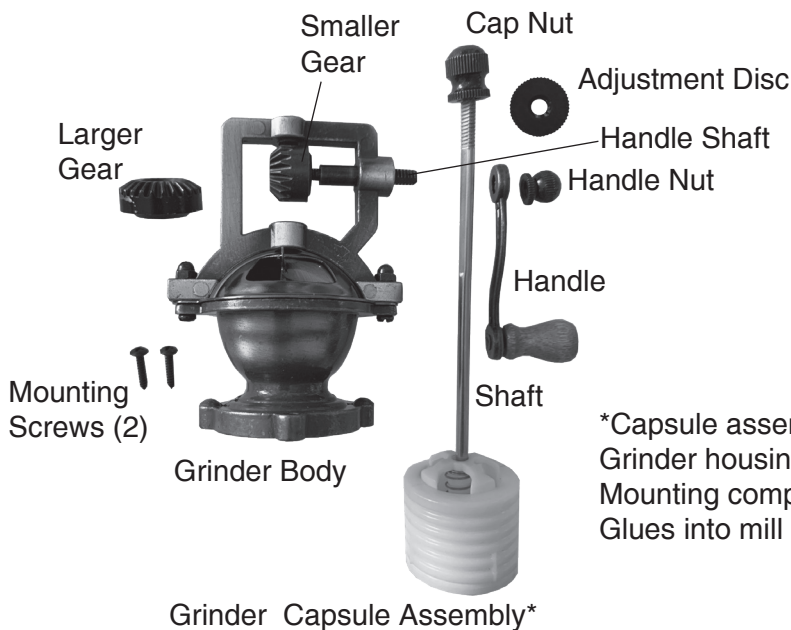
- Classy retro antique/steampunk styling
- Includes adjustable Ceramic Grinder suitable for grinding either salt or pepper
- New easy mount™ grinder capsule assembly simplifies assembly
- Cast metal component with salt safe plastic liner
- Make a Salt & Pepper mill Set
- 8" overall height

## Required Accessories:

- 1" Forstner Bit, item #FB1
- 1½" Forstner Bit, item #FB150
- 1" Jam Chuck, item #CJAM1
- Grinder positioning jig (see Diagram C)
- Epoxy Glue
- 3 Jaw Drill Chuck
- Wood required: 2-1/4" or larger sq x 3-3/4" (Finished size)



## PARTS - LIST

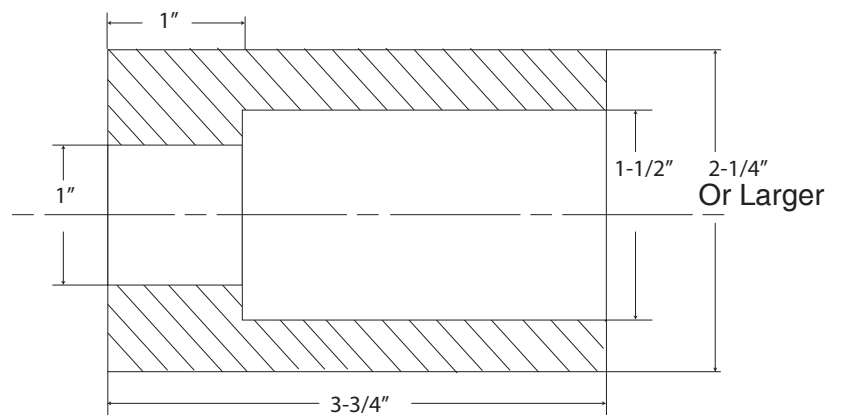


\*Capsule assembly includes spring, Grinder stone, Grinder housing and Mounting components - Glues into mill housing

## Preparing the Blank: Diagram A

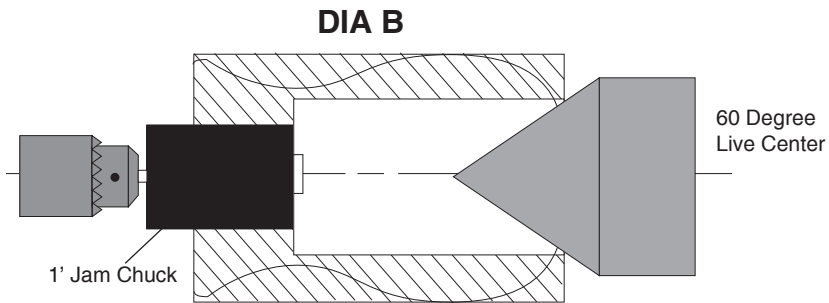
- Cut a square 90-degree blank to size
- Mark the center of each end
- Drill a 1" hole, 1" deep into one end
- Drill a 1½" hole at the opposite end to meet

## DIA A: Drilling the Blank

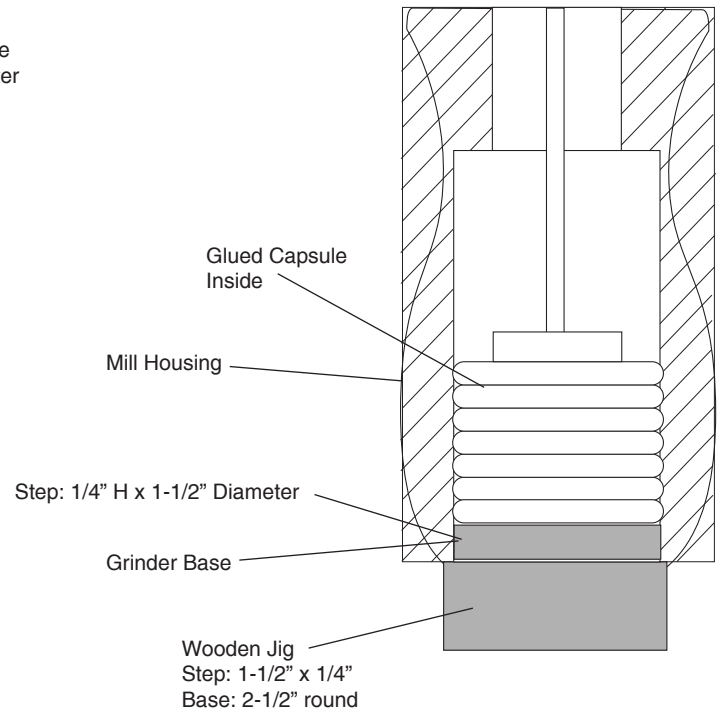


**DIA B****Mounting & Turning the Blank**

Turning the blank between centers as shown below

**Dia C****Using the Jig**

Use Jig to position capsule for proper Assembly height Inside shaft

**NOTE:**

In order to determine the position of the grinder mechanism for gluing, a simple shop turned jig is helpful

**Assembly**

- Mix and spread epoxy inside the large end of the Mill Housing. Spread from 3/8" inside the opening to about 1-3/4" in (leave the bottom of the hole unglued). Spread a thin amount over the ribs of the Grinder Assembly.
- Insert the Grinder Assembly through the bottom of the finished wood base, to rest over the jig. Let dry. See Diagram C
- Slide the Grinder Body over the Shaft
- Stop before reaching the end and insert and drop the Large Gear over the shaft to slide down
- Un-thread Small Gear from the Handle Shaft and insert Small Gear into frame next to hole. Insert Shaft into the hole in the frame, smaller thread in first, and thread into Small Gear.
- Place the Handle onto exposed end of Handle Shaft and thread on the Handle Nut.
- Thread the Adjustment Disc onto the Shaft, followed by the Cap Nut.
- Pour rock salt or peppercorns in through the sliding opening
- Adjust the grind by turning the Adjustment Disc up or down to adjust the grind from fine to coarse. After adjustment, tighten the Cap Nut against the Disc to lock it in place.

