

Grenade Click Pen Kit

Kit Features:

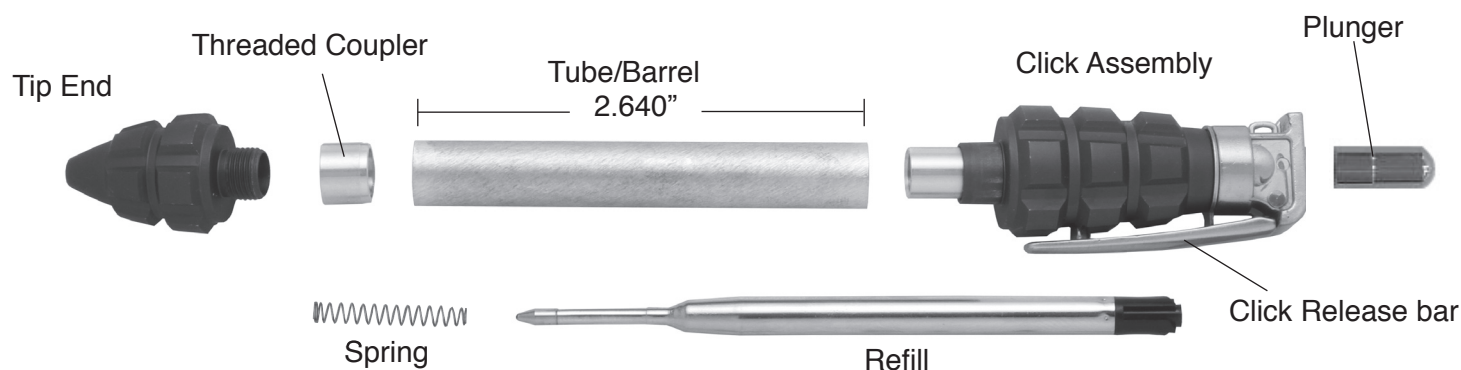
- Easy to turn with straight tubes
- Minimum parts - easy to assemble
- Available in multiple finishes
- Uses Parker® Style refills
- Overall Length: 5-5/8" Long

Required Accessories:

- 7mm Pen Mandrel
- Drill Bit(10mm):#PK10-10
- Bushing set(2 pc): #PKGRENBU
- Barrel Trimming set: #PKTRIM10
- Live Tailstock Center
- 2 Part Epoxy Glue or Insta Cure (Cyanoacrylate) Glue
- Pen Blank: Minimum Size - 7/8" x 3"



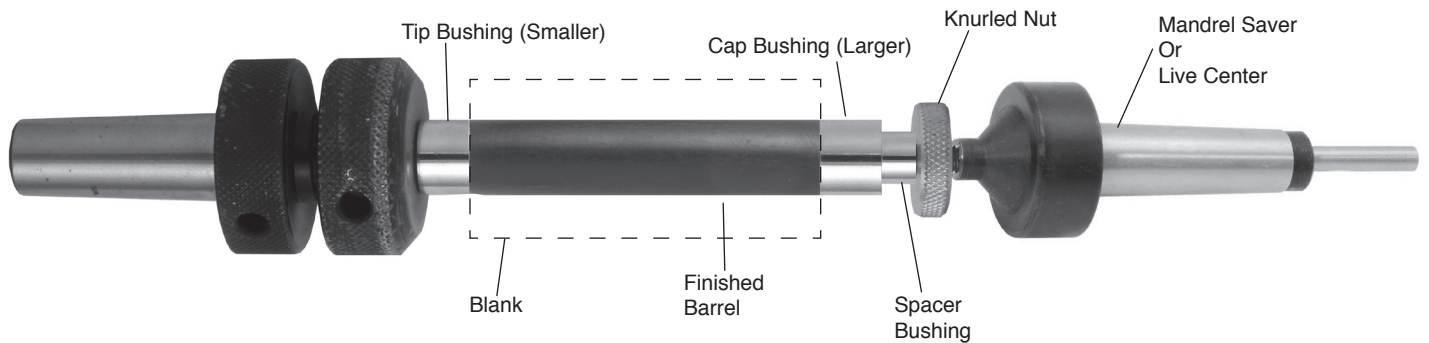
DIAGRAM A / PARTS LAYOUT



Preparing the Blank:

- Cut 1 blank to the length of the tube and add 1/16" for squaring off.
- Drill a 10mm hole lengthwise through the blank.
- Spread glue over the tube, insert the blank with a twisting motion to spread the glue evenly inside.
- Center the tube lengthwise inside the blank.
- When the glue is dry, square the ends of the blank. Use a 10mm barrel trimmer, or a universal pen blank squaring jig with a power disc sander. Take the excess material down flush with the ends of the brass tube. (do not trim beyond the length of the tube since this may interfere with operation of the mechanism and assembly). Use a barrel trimmer to clean the inside of the tube.

DIAGRAM B / TURNING THE BLANKS



Turning the Blank

- Mount the bushings and blanks according to diagram B.
- Thread on the knurled nut and hand tighten to hold all components in place.
- Slide the tailstock up snugly against the mandrel shaft inserting the live center point into the mandrel dimple, lock in place.
- Hand tighten the quill adjustment to firm up the mandrel. (DO NOT overtighten, it could damage the mandrel.
- Using sharp tools, turn the blank down close to the bushing diameter. Turn the barrel (straight or to a profile of your choice)
- Sand the blank down to be flush with the bushings gradually increasing the sandpaper grits.
- Finish the barrel with your choice of polish. Allow sufficient time for the polish to cure. Refer to polish instructions.

Assembly

- Layout parts according to diagram A
- Insert coupler, recessed end in first into the smaller diameter of the barrel. Press together.
- Affix the click assembly into the opposite (wider) end of the barrel. Press together.
- Drop the refill into the opening in the front of barrel, affix the spring oriented as shown, narrow opening first.
- Screw the tip end over the refill to bottom.
- Thread the plunger into click assembly. Note that click mechanism may require extra pressure for the first click.
- The pen is ready to use. Press the plunger to extend the refill's tip and press the click Release Bar to retract the refill. **NOTE: This component is not a clip - do not attempt to pull out on release bar.**

Diagram C / Bushings #PKGRENBU

