

Diamond Painting Kit

Kit Features

- 6 Tips included for square and round diamonds as well as multi-capacity tips
- Includes Storage Box with cutouts for display
- Easy to Turn with Straight Tubes
- Minimal Parts--easy to assemble
- Available in multiple finishes
- Overall Length: 4-5/8" (without tips)

Required Accessories

- 7mm Pen Mandrel
- Drill Bit: #PKPARK-8MM for Wood, #PK-8MMMSG for Plastic
- Bushing Set(2pc): #PKCP2400BU
- Barrel Trimming: #PKTRIM8 or 8mm sleeve from #PKTRIM-SET with squaring jig on disc sander
- Live Tailstock or Mandrel Saver
- 2 part Epoxy or Thick CA (Cyanoacrylate) Glue
- Pen Blank Minimum Size: 3/4" x 3/4" x 2-13/16"L

Preparing the Blank:

- Prior to cutting and gluing, always verify tube length is correct (see parts diagram on back page)
- Cut blank to the length of the tube, adding 1/16" for squaring off.
- Drill 8mm hole lengthwise through the blank.
- Spread glue over tube, insert the tube into the blank while twisting to spread the glue evenly inside.
- Center the tube lengthwise inside the blank.
- When the glue is dry, square the ends of the blanks, making sure the trimmed ends are 90° to the tube. Use PKTRIM8 or 8mm barrel trimming sleeve with a pen blank squaring jig on a disc sander. Take the excess material down flush to the ends of the tubes. Do not trim past the end of the tube since this may interfere with assembly and the operation of the mechanism. Use a barrel trimmer to clean the inside of the tube.



Shown with Square and Round Tip, other included tips shown in parts list on reverse

DIAGRAM B / TURNING THE BLANK



Turning the Blank:

- Mount the bushings and blanks according to diagram B.
- When using Mandrel Saver, there is no need for extra spacer bushings or the knurled nut. Slide and lock tailstock directly against bushings and tighten quill until blank and bushings are secure.
- To use Knurled Nut Setup (right), add spacer bushings until past the threads on the end of the Mandrel Shaft.
- Thread on the Knurled Nut and hand tighten to hold all components in place.
- Slide the Tailstock up snugly against the Mandrel shaft, inserting the live center point into the Mandrel dimple.
- Lock Tailstock and hand tighten the quill adjustment with wheel to steady the mandrel. Do not over-tighten, it could damage mandrel shaft.
- Using sharp tools, turn the blank down close to the bushing diameter. Turn the barrel straight or to a profile of your choice.
- Sand the blank down to be flush with the bushings, gradually increasing sandpaper grits.
- Finish the barrel using your choice of polish. Allow sufficient time for the polish to cure—refer to polish manufacturer's instructions.

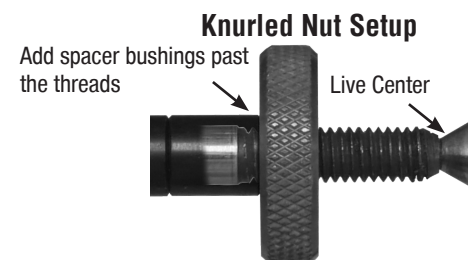


Diagram C / Bushing #PKCP2400BU

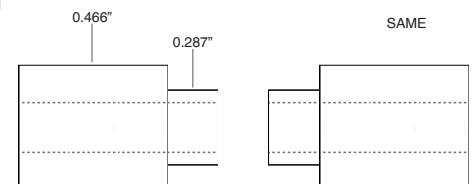
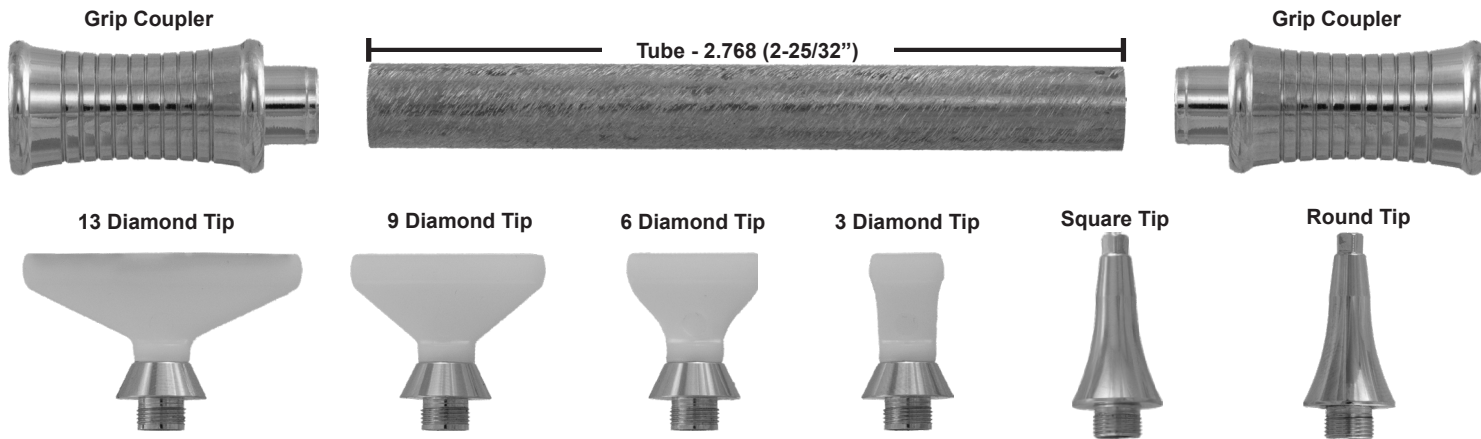


Diagram D / Parts Layout



Storage Box



Assembly:

- Press Grip Couplers into each end of the Barrel.
- Tips can be threaded into either end as needed.
- Keep in Storage Box when not in use.

