

## David Broadwell-NOUVEAU SCEPTRE — Fountain Pen Kit

### KIT FEATURES

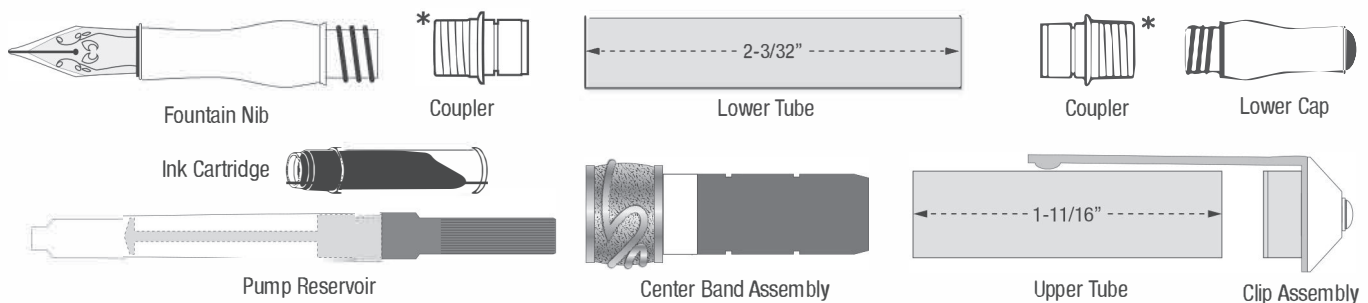
- Antique Art Nouveau style
- 22kt Gold plate accents
- Schmidt™ Iridium medium point pen nib
- Elegant, casted 3-dimensional design
- Overall length: 5-9/16"

### REQUIRED ACCESSORIES

- 7mm, Pen Mandrel
- 10.5mm Drill Bit #PK105MM (lower tube)
- 0.492" Drill Bit #PKPLI-DB (upper tube)
- 3-piece Bushing Set #PKDBBUA
- Barrel Trimmer Sleeves #PKMAJJRBS (Use with 7mm Barrel Trimmer)
- Insta-cure (cyanoacrylate) glue or 2-part epoxy glue



### DIAGRAM A • Fountain Pen Parts



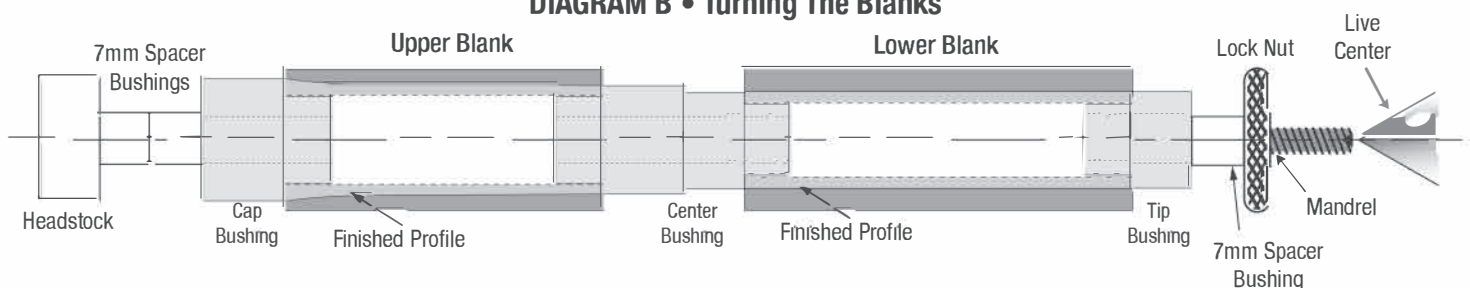
### PREPARING THE BLANKS

- Cut 3/4" or larger square blank to the length of the brass tube. Add 1/16" to the length for squaring off.
- Using the .492" drill bit, drill a centered hole through the upper blank. Drill a 10.5mm hole through the lower blank.
- Apply glue to each tube and insert into the proper blank with a twisting motion to spread the glue evenly inside. Center the tube in each blank.
- When glue dries, trim each tube end. Use a 7mm barrel trimmer with the proper trimmer sleeve. Trim the wood blank flush to the brass tube.

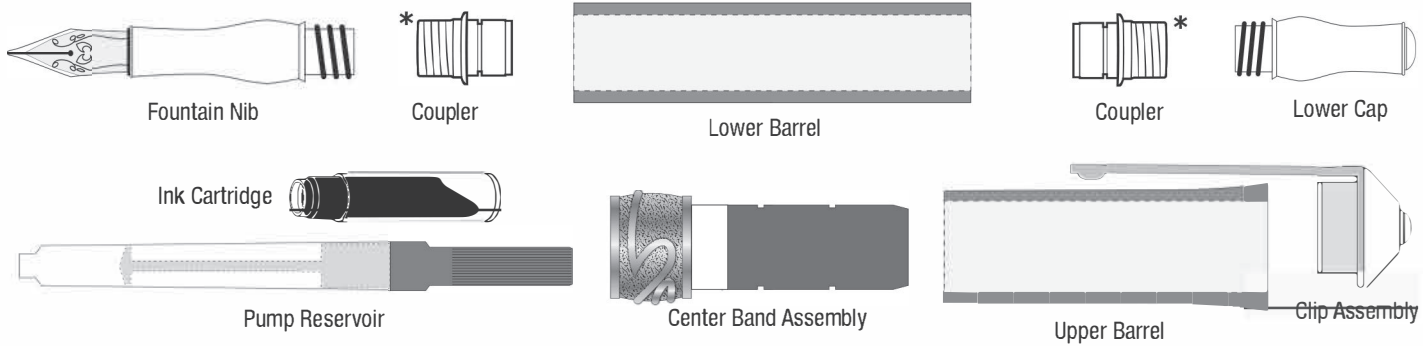
### TURNING THE BLANKS

- Place spacer bushings onto the mandrel shaft. Insert the larger end bushing, large end first. Follow with the upper blank.
- Place the center bushing, large diameter in first, follow with the lower blank. Insert the smaller diameter bushing, small end first. Insert spacer bushings to close the space to the threads.
- Mount the locknut hand tight. Bring the tail stock snug to the mandrel shaft. Lock in place. Lock the knurled nut hand tight. Do not over tighten, it may bend the mandrel.
- Turn the wood down to the profile design illustrated in **DIAGRAM B**. Sand the blanks down to match the bushings.
- Finish the barrels with your choice of PSI Polish.

### DIAGRAM B • Turning The Blanks



**DIAGRAM C • Assembly**



**ASSEMBLY — Fountain Pen**

- Line up the pen parts according to **DIAGRAM C**.
- Press the cap assembly into the wide end of the upper barrel.
- Slide and press in the center band assembly into the opposite end of the barrel
- Slide the ring onto the coupler (narrow diameter side in first) and press the coupler with ring into either end of the lower barrel.
- Repeat this process for the second coupler and slide the ring onto the coupler and press coupler assembly into the opposite end of the lower barrel.
- Mount either ink cartridge or pump reservoir onto the back of the fountain nib. Screw on this assembly onto the coupler assembly at the lower barrel.
- Screw on the lower cap into the opposite end of the barrel.
- Squeeze the ink into the fountain nib. The pen is ready to use.
- The cap will post over the lower barrel when in use.

**BUSHINGS**

**DIAGRAM D • #PKDBBUA — BROADWELL Roller Ball/Fountain Pen Bushings**

