

20mm Jumbo Crochet Hook Kit

Kit Features

- Easy to Turn Closed End with Bushing using the Handle Anything System
- Minimal Parts--easy to assemble
- MAde with lightweight aluminum

Required Accessories

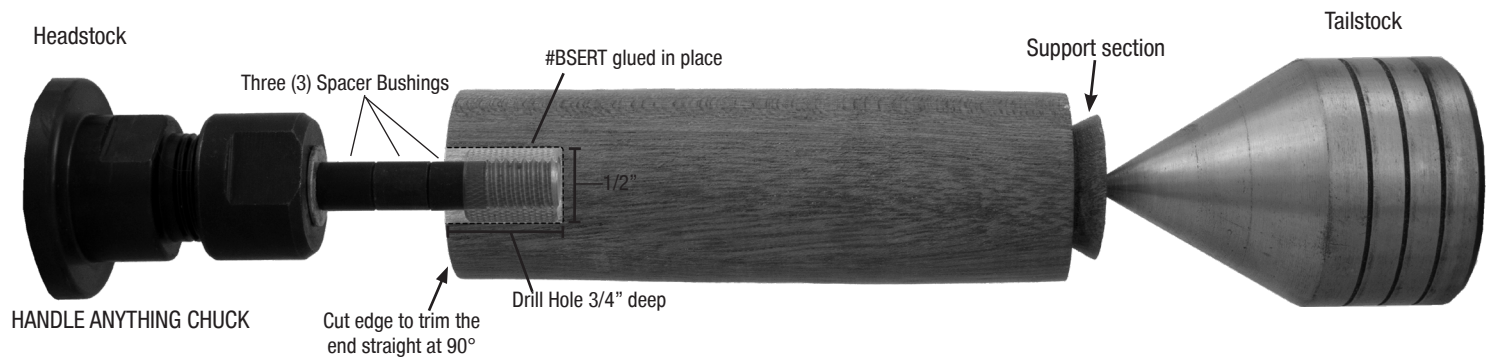
- Items marked with * come included in #PKHABS Bottle Stopper Set (sold separately)
- Handle Anything Chuck: #PKHA01*
- 3/8" x 16tpi Mandrel: #PKHA02*
- Bottle Stopper Inserts: #BSERT*
- Drill Bit: #PKDB12*
- Bushing Set (2pc): #PKCROCHJBU
- Live Tailstock
- 2 part Epoxy (CA is not recommended)
- Blank Minimum Size: 1" x 1" x 4"L



Preparing the Blank:

- It is highly recommended to read and understand the instructions fully before cutting or turning this project.
- Blanks should be long enough to feel comfortable as a handle. 4" minimum length is recommended. 1/4" to 1/2" will be needed for support section. You can make the blank longer if you wish.
- Drill 1/2" hole 3/4" deep in one end of blank.
- Mix a small amount of epoxy. Smooth epoxy into hole so hole is coated in a thin layer. Spread a light amount onto Insert. Smooth so that epoxy is pushed into the knurling. Push insert into hole until it bottoms out and allow glue to cure. A 3/8" bolt is helpful here as an insertion tool.

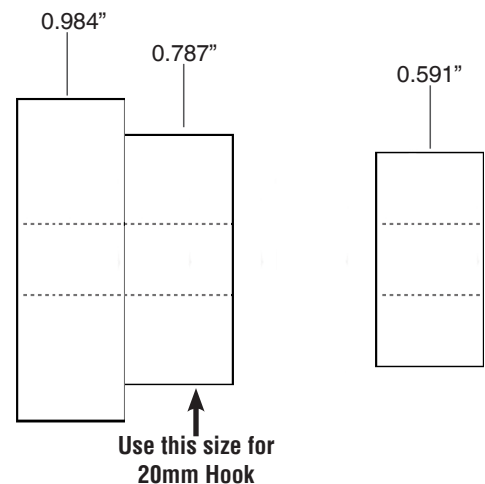
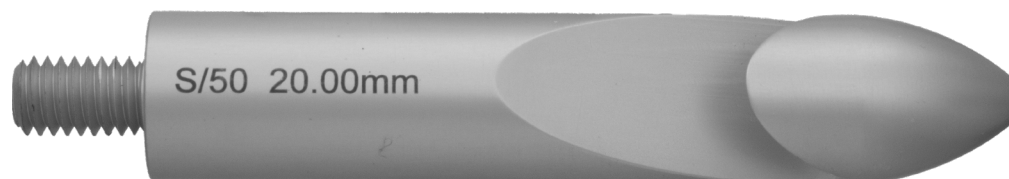
Diagram B / Trimming the Blank:



- Slide three standard bushings (PKM-BUSH3) as spacers onto the back of the 3/8" Mandrel Rod. (See Diagram B).
- Thread the blank onto Mandrel until tight. Slide Mandrel into Chuck.
- Bring Tailstock up to the blank and advanced tailstock point into end of blank.
- NOTE: Do not try to bend the blank to force the tailstock to a pre-marked center, it will cause the final piece to be off. Allow the Tailstock to naturally penetrate at the center of rotation on the mounted blank.
- Tighten the collet using 7/8" wrenches and re-adjust Tailstock.
- Rough turn blank. Reduce a minimum of the last 1/4 inch of length as a support section.
- Use a parting tool or skew to trim the Headstock end of the blank so it is 90° to the side of the blank. Only remove enough material to make sure edge is trimmed and straight. Do not remove too much or you might reduce the depth of the hole too much.
- Loosen Collet and remove Mandrel Rod.
- Slide the three standard bushings off.

Diagram C / Turning the Blank:

- Mount the bushing and blank according to Diagram C. To ensure tightness, do not fully thread the Blank onto the Mandrel at first and leave the Chuck Collet only hand tight.
- Slide the Tailstock up and return point to the same spot in the support section.
- Lock Tailstock and hand tighten the quill adjustment to make sure all parts are firmly against the Chuck. Tighten Collet with 7/8" wrenches and turn handle to fully tighten against bushing.
- Using sharp tools, turn the blank down close to the bushing diameter. Turn the barrel straight or to a profile of your choice. Do not part off the Support section until almost all finishing is done.
- Sand the blank down to be flush with the bushing, gradually increasing sandpaper grits.
- Carefully part off the support section, either with a parting tool for skew.
- Note that once Tailstock support is gone, it is not advisable to place too much sideways pressure. Sanding and finishing should be done with less pushing and more gripping pressure.
- Sand the end of the Barrel, increasing grits and moving up towards the headstock with higher grits to blend in.
- Finish the barrel using your choice of polish. Allow sufficient time for the polish to cure—refer to polish manufacturer's instructions.

Diagram E/ Bushing PKCROCHETJBU**Diagram D / Parts****Assembly:**

- Unthread Handle from the Chuck
- Thread Hook into the Handle