

Bottle Opener Kit

Required Accessories

- 7mm pen mandrel
- PK-7MM, 7mm Drill Bit
- PKRAHANBU, 2pc Bushing Set
- PKTRIM7, 7mm Barrel Trimmer
- 2-part epoxy glue or Insta-Cure (cyanoacrylate)

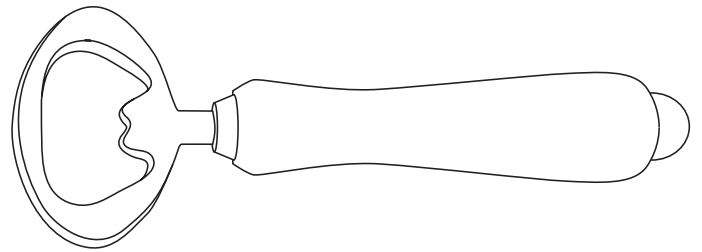
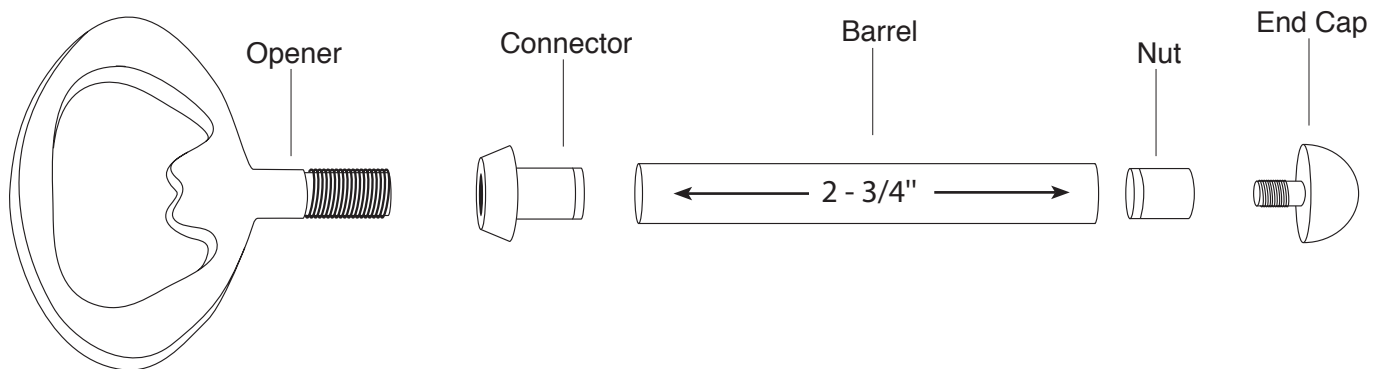


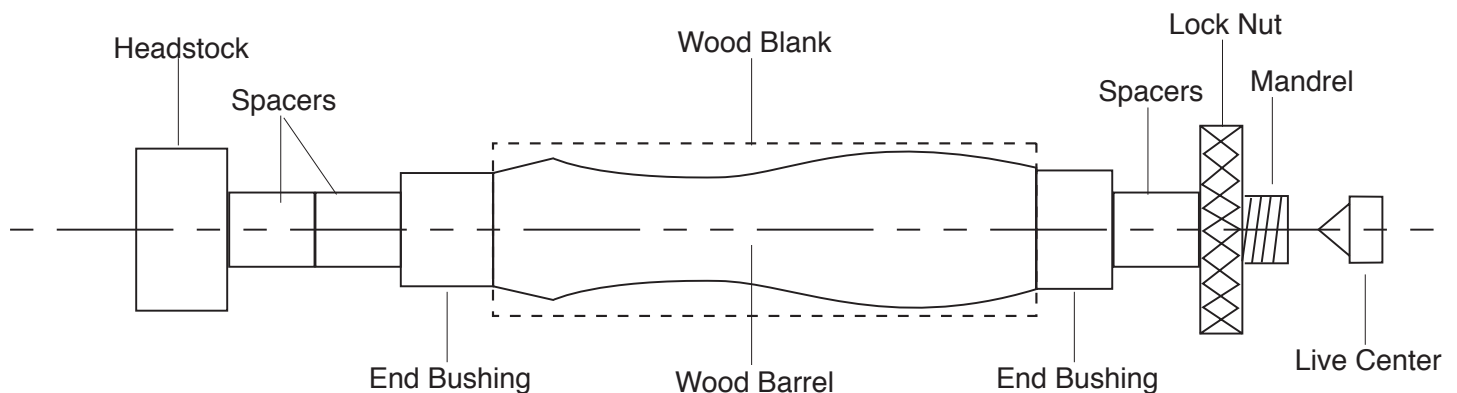
DIAGRAM A - PARTS LIST



Preparing the Blank

- Cut a blank to 3/4" or larger to the length of the brass tube (add 1/16" for trimming).
- NOTE: for a longer handle, cut the tube in half and insert each half into opposite ends of a longer drilled blank.**
- Drill a 7mm centered hole lengthwise through the blank.
- Spread glue over tubes. Insert into blanks with a twisting motion to spread the glue evenly inside.
- When the glue dries, square the ends of the blanks. Use an 7mm barrel trimmer or belt/disc sander. Take wood down flush to the brass tube.

DIAGRAM B - TURNING THE BLANK



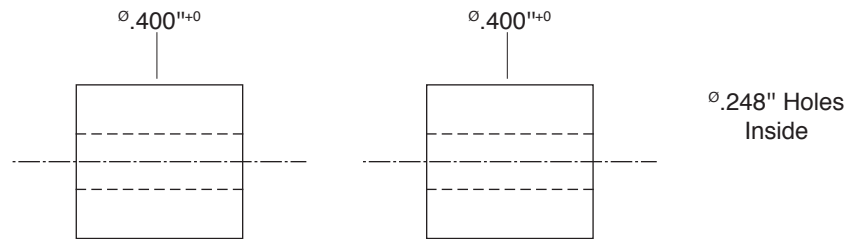
Turning the Blank

- Place 7mm spacer bushings onto the mandrel shaft. (This may not be necessary with the PSI Maxi-Mandrel).
- Place a bushing on the mandrel, then follow with the blank. Slide on the other bushing, follow with a spacer bushing and the lock nut. Bring the tailstock live center to engage the mandrel and secure. Do not overtighten the lock nut or tailstock, it could damage the mandrel shaft.
- Turn the wood for the handle between the bushings to the profile design of your choice. Sand and finish the wood.

Assembly

- Press the connector into the front end of the barrel.
- Press the nut, recess end in first, into the opposite end of the barrel.
- Screw the opener into the connector.
- Screw the end cap into the nut at the opposite end
- The opener is ready to use.

DIAGRAM C - BUSHINGS #PKRAHANBU



Philadelphia, PA 19115