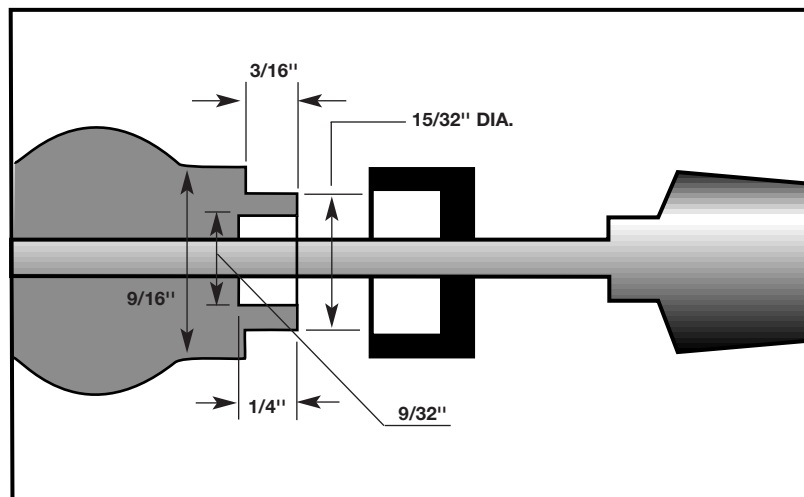
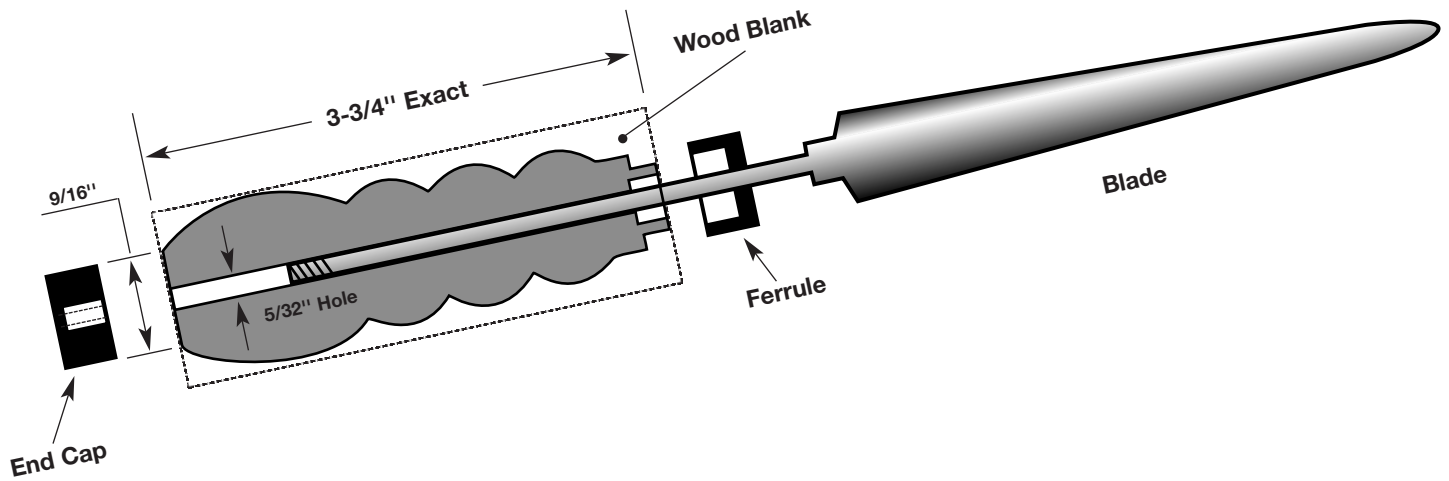


## Model #PKBLADE8 Solid Brass Letter Opener



### Instructions:

- Cut wood blank to exact length of 3-3/4" x 5/8" minimum.
- Drill 5/32" hole through center of blank.
- Turn blank to your design. The end of handle should be turned to 9/16" diameter.
- In front, cut a tenon 15/32" dia. x 3/16" deep to fit inside ferrule.
- Drill 9/32" hole, 1/4" deep to fit shoulder of blade.
- Sand and finish with your choice of wax or polish.
- When handle is finished, insert rod into handle as illustrated in diagram and screw end cap in tight.