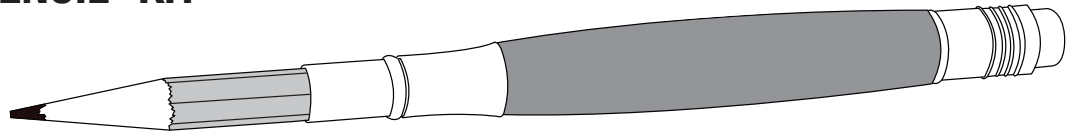


## BUFFALO "BULLET PENCIL" KIT

### KIT FEATURES:

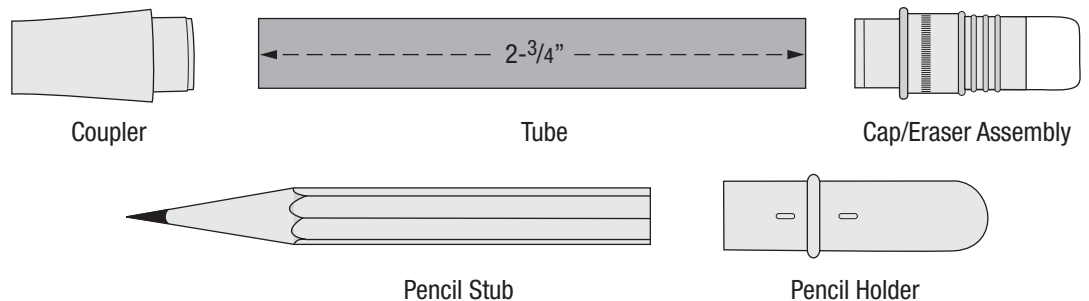
- Handy to use on the golf course, desktop, or anywhere.
- Chrome plated for durability
- Uses standard pencil or golf pencil (maximum length: 4")
- Includes eraser (replacements available)
- Overall size: 5" (closed)



### DIAGRAM A • Parts

### REQUIRED ACCESSORIES:

- 7mm, Pen Mandrel
- 2-piece bushing set: #PKEXEC-BU
- 3/8" Drill Bit #PKEXEC-3/8
- Universal Barrel Trimming System: #PKTRIMKIT
- 2 part epoxy glue or insta-cure (cyanoacrylate) glue



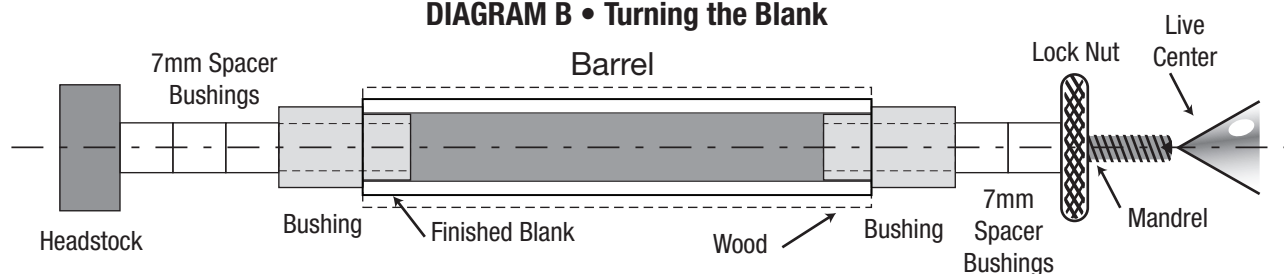
### PREPARING THE BLANK:

- Cut a 5/8" square blank to the length of the brass tube (add 1/16" to each end for squaring off).
- Drill a 3/8" center hole lengthwise through the blank.
- Spread the glue over the tube. Insert the tube into the blank with a twisting motion to spread the glue evenly inside. Center the tube lengthwise in the blank.
- When the glue dries, square the ends of the blank. Use a 3/8" barrel trimmer, universal pen blank squaring jig, or a belt/disc sander to square the end. Take the wood down flush to the brass tube.

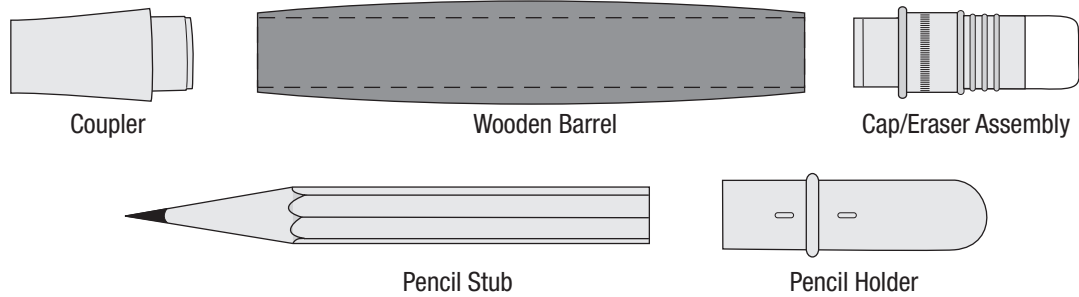
### TURNING THE BLANK:

- Place 7mm spacer bushings onto the mandrel followed by an end bushing, wide end in first, then the wood blank followed by the other end bushing, narrow end in first.
- If necessary, use additional spacer bushings to fill the space on the shaft up to the threads.
- Thread on the lock nut and hand tighten to hold all items in place.
- Slide the tailstock to the mandrel shaft, (do not overtighten, it could damage the mandrel). Lock in place.
- Turn the wood down flush with the bushings using the lathe tools, gradually increasing the grades of sandpaper.
- Finish the wood with friction polish, #PKSWAX, or use PSI clear hi-gloss project finish #HGPF off the lathe for a brilliant finish.

### DIAGRAM B • Turning the Blank

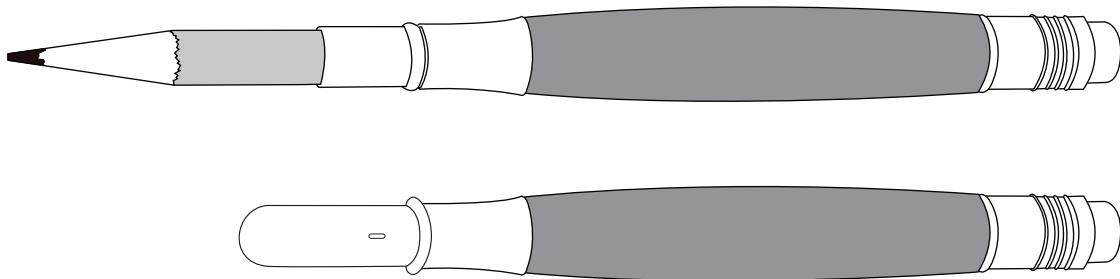


**DIAGRAM C • Assembly**



**ASSEMBLY:**

- Remove the eraser off the end cap. Press the end cap, narrow end in first, into the barrel.
- Press the coupler, recessed end in first into the opposite end of the barrel. Replace the eraser.
- Push the pencil, flat end in first into the holder. Place the holder into the coupler and slide up to the shoulder.
- To use the pencil, pull out the holder, reverse and slide into the coupler. Open and closed positions shown below.



**BUSHING**

**DIAGRAM D • BUSHING — #PKEXEC-BU**

