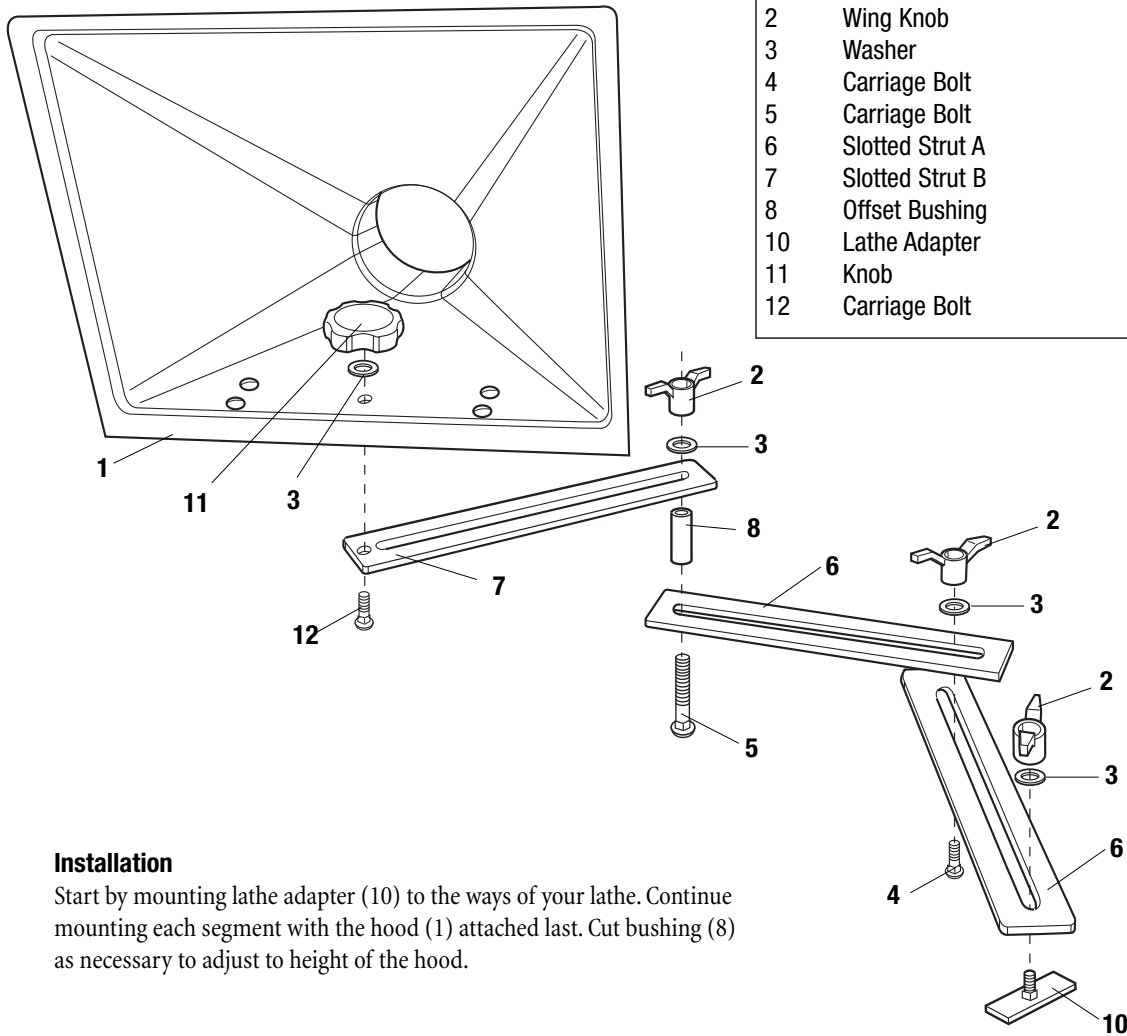


DLGULP Big Gulp Ultimate Lathe Hood

PART LIST			
No.	Name	Spec.	Qty.
1	Dust Hood Assembly		1
2	Wing Knob	3/8"	3
3	Washer	3/8"	4
4	Carriage Bolt	3/8" x 1"	1
5	Carriage Bolt	3/8" x 3"	1
6	Slotted Strut A		2
7	Slotted Strut B		1
8	Offset Bushing		1
10	Lathe Adapter	3/8" x 3"	1
11	Knob	3/8"	1
12	Carriage Bolt	3/8" x 1-1/4"	1



Installation

Start by mounting lathe adapter (10) to the ways of your lathe. Continue mounting each segment with the hood (1) attached last. Cut bushing (8) as necessary to adjust to height of the hood.

Fig. A- Extension Diagram

