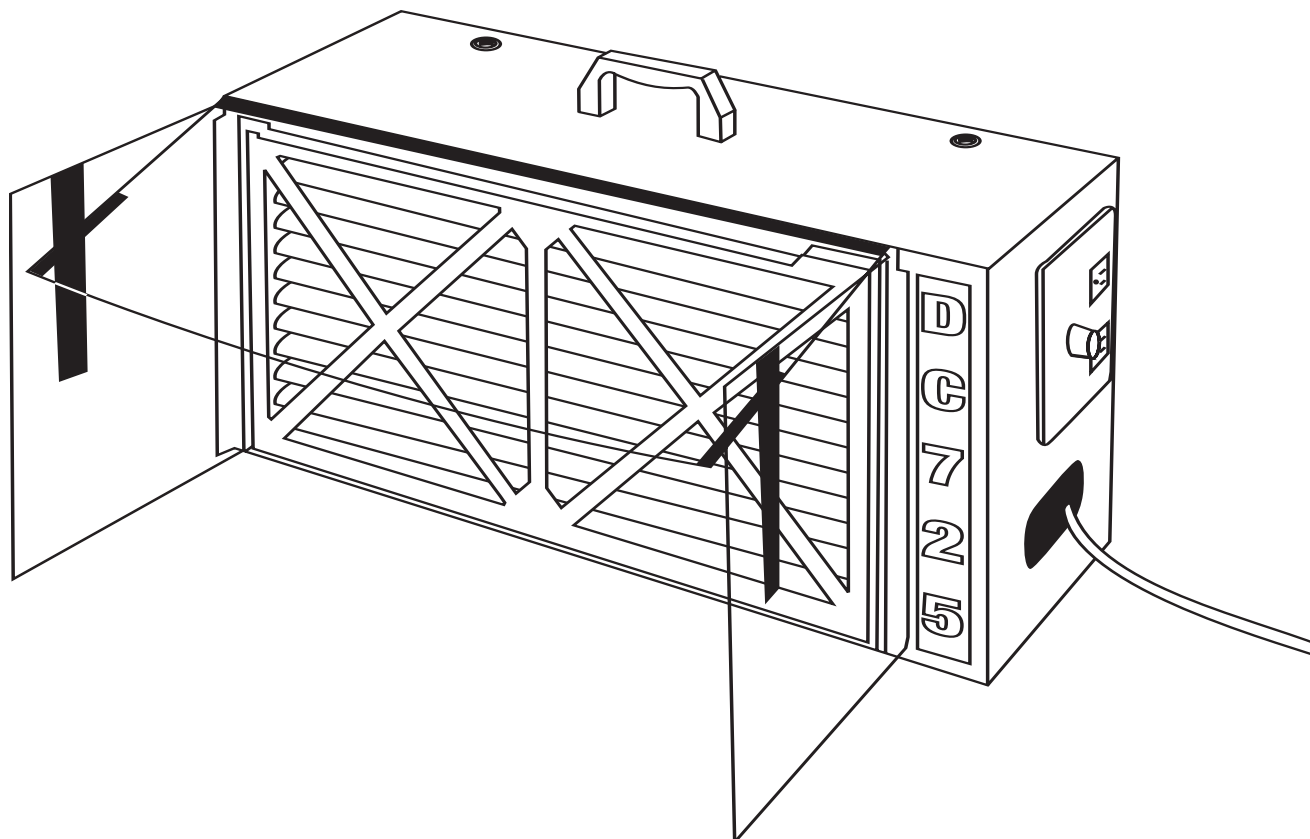


Portable Dust Collection Box DC725

Operating Manual & Parts List



WORK SMART!



PSI Bifocal
Safety Glasses

**Always wear safety glasses
to prevent eye injury!**

Index

- Warranty 2
- Product Support 2
- Safety 3
- Applications 4
- Assembly 4
- Grounding 5
- Parts List 6
- Parts Diagram 7



Made in China

Warranty & Product Support

Congratulations on your purchase of the DC725 Portable Dust Collector. This dust collector is ideal for use with power carvers and mini-lathes. The lightweight, low profile unit is a self-contained dust collection system. All fans and filters are integrated into a compact portable cabinet. Dust is drawn in by three quiet computer grade, maintenance free fans. Dust is then captured by an efficient filter at 720CFM.

Features

- Portable, self-contained dust collection unit
- Motors: 3; each 110V, 1.29 AMPS total
- Convenient carrying handle
- Filter removes for easy cleaning
- Grounded 115V outlets for power tools
- Clear plastic doors with adjustable hood
- Variable speed fan control

Filters

- Standard: #DC720-F ASHRE 65 Pleated 2" x 10" x 20"
- Optional: #DC720ES Electrostatic 2" x 10" x 20"

Warranty

This product is warranted against defects in materials and workmanship for a period of 2 year from the date of purchase. The warranty applies to the original purchaser of the product and is limited to the repair or replacement of the product or its parts at our discretion. Excluded are parts which have been misused, abused, altered, or consumed by normal operation of the product. Also excluded are direct and consequential damages to persons, property, or materials. Your invoice serves as proof of purchase and must be referenced to authorize warranty repairs. Call PSI Woodworking Products for proper authorization prior to return.

Product Support

If you are having problems with your DC725 Portable Dust Collector, feel free to call us during normal business hours (8:30 a.m. to 4:30 p.m. Monday thru Friday EST). Have your invoice number handy to expedite processing any warranty parts ordered.

Thank you for your business.

Please record your invoice number for future reference.

MERCHANT _____ INV # _____ DATE: _____

PSI Woodworking Products 1-877-774-5431

Safety rules for your DC 725 Dust Collector

Important Safety Instructions

When using your DC725, follow basic safety precautions including the following:

WARNING: To reduce the risk of fire, electric shock or injury: Read and understand this owners manual and all labels on the DC725 before operating. Use only as described in this manual.

To avoid personal injury or damage to the DC 720, use only recommended accessories.

Sparks inside the electric parts can ignite flammable vapors or dust.

To avoid fire or explosion...

- Do not use this near flammable or combustible liquids, gases, gasoline or other fuels, lighter fluid, cleaners, oil based paints, natural gas, hydrogen, or explosive dusts like coal dust, magnesium dust, grain dust, or gun powder.
- Do not use near anything that is burning or smoking, such as cigarettes, matches, or hot ashes.
- To avoid health hazards from vapors or dust, do not use near toxic materials.
- Do not use on wet surfaces.
- Put unit on a stable, level surface.
- Do not allow to be used as a toy. Close attention is necessary when used by or near children.
- To avoid injury from accidental starting, unplug the power cord before changing or cleaning the filter.
- Do not use without the filter in place.
- Do not put any object into the ventilation openings.
- Keep hair, loose clothing, fingers, and all parts out of body away from openings and moving parts.
- Do not unplug by pulling the cord. To unplug, grasp the plug, not the cord.
- Turn off the controls before unplugging.
- Do not use with damaged cord, plug or other parts. If your DC725 is not working as it should, has missing parts, has been dropped, damaged, left outdoors, or dropped into the water, return it to the authorized service center.
- Do not pull or carry by the cord, use cord as a handle, close door on cord, or pull cord around sharp edges or corners.
- Do not handle plug of the DC725 with wet hands.
- Extension cords in poor condition or that are too small can pose fire and shock hazards. When using an extension cord, be sure that it is in good condition. See "Extension Cords" in the "Operations" section for the proper wire sizes.
- Do not leave appliances plugged in. Unplug from outlet when not in use and before servicing.
- Connect to properly, grounded outlet only (see "Grounding Instructions" on page 6)

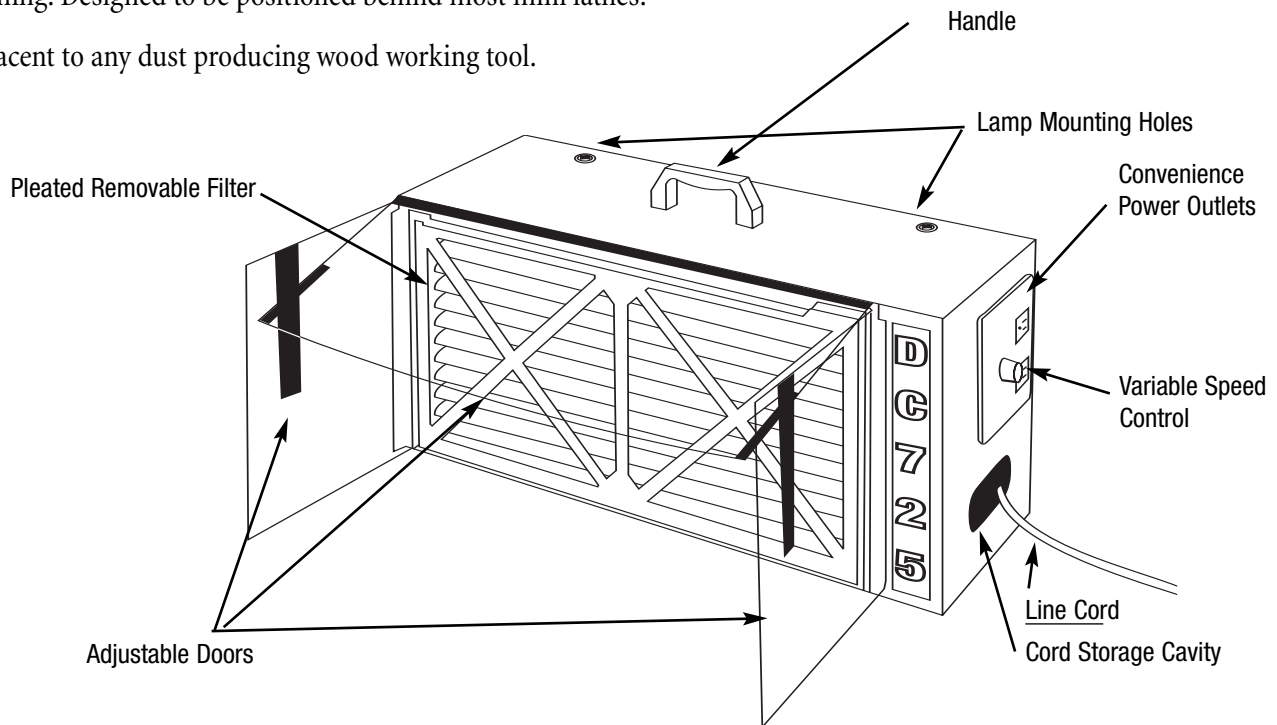
SAVE THESE INSTRUCTIONS

DC725

The portable DC 720 is specially designed to collect dust at the source of its creation. Adjusting the plastic doors allows the woodworker to "funnel" the dust into the air filter, thus reducing the amount of dust escaping into the air.

Some Typical Application Include...

- Woodcarving with both power and manual carving equipment.
- Sanding manually or with portable sanding machines.
- Turning: Designed to be positioned behind most mini lathes.
- Adjacent to any dust producing wood working tool.



ASSEMBLY:

Door: Set up three (3) doors as shown in photo above. Use the hook and loop fasteners to secure the clear the cabinet. For better suction the top door may be set at a downward angle.

Cork: There are four pieces of sticky glue backed cork enclosed. Part #35 & 36 are supplied to take up any possible space existing between filter and chassis. Place cork piece underneath the filter the short one to the side of the filter if needed. Part #37 (2 pieces) should be glued on the ends of the bottom of the cabinet to absorb vibration and avoid scratching the table surface.

Note: Use the extra 110-volt outlets for your accessories. You can conveniently mount your lamp or tool holder in the mounting holes provided in the top of the cabinet.

Care & Maintenance: The fan motors are sealed and maintenance free. Clean the filter by gently tapping the dust. Replace the filter periodically for top performance. Keep the hook and loop door hinges free from dust.

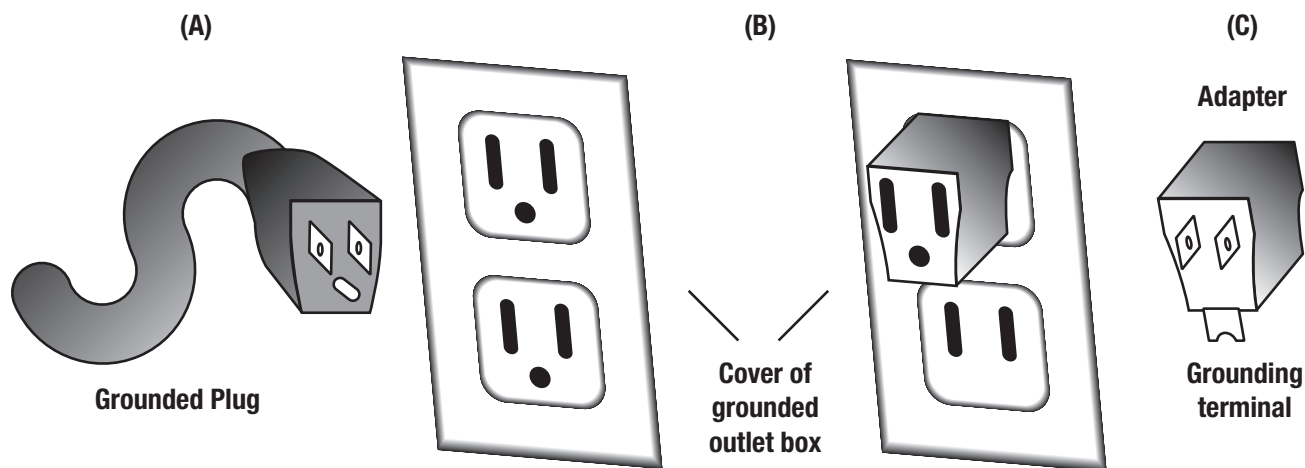
Caution: Do Not use this air filter to collect overspray of volatile fumes.

Grounding

This machine is intended for use on a circuit that has an outlet like the one in the illustration (A). The machine has a grounding plug that looks like the plug in illustration (A). A temporary adapter, which looks like the adapter in illustration (B) and (C), may be used to connect the plug to a one pole receptacle, as shown in illustration (B), if a properly grounded outlet is not available. The temporary adapter should be used until a properly grounded outlet can be installed by a qualified electrician. The three colored rigid ear plug extending from the adapter, must be connected to a permanent ground such as a properly grounded outlet box.

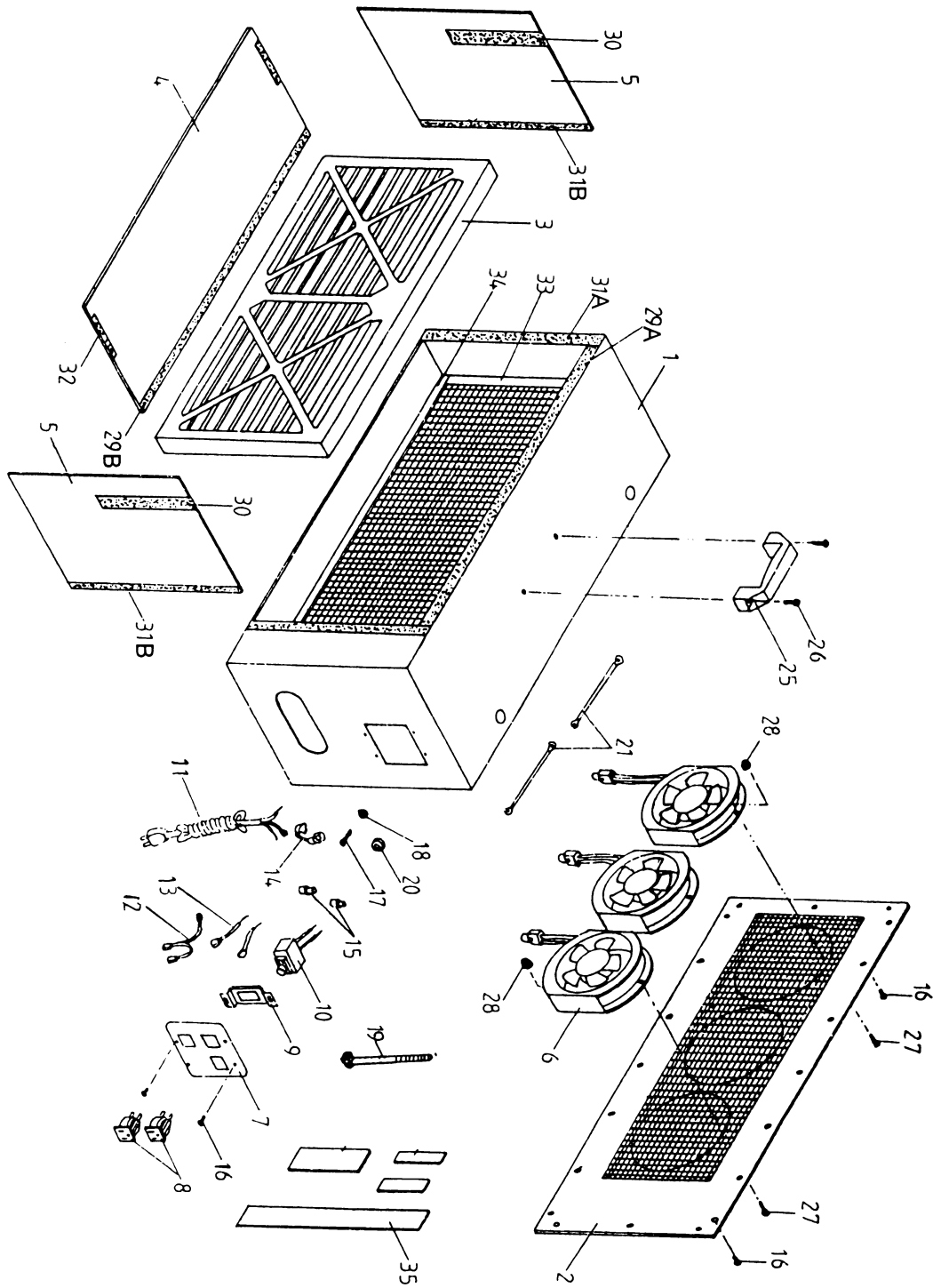
Note: the type of electrical plug and receptacle differs from country to country.

Caution: In Canada, only the grounding shown in figure (A) is acceptable. The extension cord should be a CSA certified, SJT type or better.



Parts List DC725

No.	Description	Item #	Specifications	Qty.
1	Main Housing			1
2	Motor Plate Mounting			1
3	Filter	#DC720-F	2" x 10" x 20"	1
4	Upper Adjustable Door	Z-DC720-LD		1
5A	Side Adjustable Door Right	Z-DC720-SD	with hook & loop fasteners	1
5B	Side Adjustable Door Left	Z-DC720-SD	with hook & loop fasteners	1
6	Motor / Fan	Z-DC720-FAN	110V, 0.5 Amp	3
7	Switch Plate	Z-DC720-PLT		2
8	Grounded Socket	Z-DC720-REC		2
9	Mounting Plate			1
10	Electric Speed Controller	Z-DC720-SPD		1
11	Power Cord	Z-DC720-CRD		1
12	Grounding Wire			1
13	Connecting Wire			2
14	Strain Relief			1
15	Connector			3
16	Hex. Soc. Head Screw		M4 X 9	24
17	Hex. Soc. Head Screw		M4 X 9	1
18	Washer		M4	1
19	Cable Wrap			4
20	Collar			1
21	Grounding Wire			3
25	Handle	Z-DC720-HD		1
26	Slotted Head Screw		1/4" X 5/8"	2
27	Hex. Head Screw		M4 X 25	6
28	Nut		M4	6
29A	Hook Fastener Strip Chassis		5/8" X 21"	1
29B	Loop Fastener Strip Door Top Chassis		5/8" X 18"	1
30	Loop Fastener Strip Side Door		1" X 7"	2
31A	Hook Fastener Strip Chassis		5/8" X 9 1/2"	2
31B	Hook Fastener Strip Side Door		5/8" X 9 1/2"	2
32	Hook Fastener Strip Top Door		1" X 3"	
35	Bottom Cork Filter Spacer		2" X 19-1/2"	1
36	Side Cork Filter Spacer		2" X 9-1/2"	1
37	Bottom Of Cabinet		1" X 8"	2
35, 36 & 37	Cork Kit All Pieces	Z-DC720-CK		





©2006 PSI Woodworking Products 9900 Global Rd. Philadelphia PA 19115 v8.06