

# OWNER'S MANUAL

## #DC2000B

## #DC2000BCF

2 HP, 1500 CFM DUST COLLECTOR

VERSION 2 - w/ 6" INLET PORT



Model: #DC2000BCF



Model: #DC2000B

**PSI** Woodworking  
PRODUCTS

9900 Global Rd.  
Philadelphia, PA 19115

## #DC2000B

---

Thank you for purchasing one of PSI's growing family of woodworking products. Our **#DC2000B** dust collector is engineered and manufactured to the highest standards of quality.

**Read this manual carefully before assembly, testing and operation.**

**△ WARNING:** Do not operate this unit until the PVC hose is installed onto the dust inlet port.

### Table of Contents

Safety Instructions .....	pg. 2
Specifications .....	pg. 3
Unpacking and Checking Contents .....	pg. 3
Package Contents .....	pg. 3
Assembly .....	pg. 4
Electrical Grounding .....	pg. 11
Parts List & Parts Diagram .....	pg. 12

#### Safety Instructions for Model #DC2000B Dust Collector

1. Do not vacuum or use this system near flammable or combustible liquids, gases, gasoline or other fuels, cleaners, oil-based paints, natural gas or explosive dust like coal dust, magnesium, grain dust, or gun powder.
2. Do not vacuum anything that is burning or smoking such as cigarettes or hot ashes.
3. Do not vacuum toxic materials or use near hazardous materials.
4. Do not use outdoors or on wet surfaces. Do not operate with a full waste container.
5. Do not use without the dust filter bag or canister attached.
6. Turn off all controls before unplugging. Do not unplug by pulling on the cord, use the plug.
7. Do not use with damaged cord, plug or other parts. Install only to a properly grounded outlet
8. Do not wear loose clothing in the area of any inlets due to high suction.
9. If your ducting has only plastic hose or pipe, ground the hose or pipe by wrapping bare copper wire around the exterior surface and grounding the wire at either end.
10. Keep hands free of the spinning impeller.
11. The DC2000B is only warranted and guaranteed for the collection of wood dust even through it may be quite suitable for other applications.

### Warranty

This product is warranted against defects in material and workmanship for a period of two years for all components. This warranty applies to the original purchaser of the product and is limited to the repair or replacement of the product or its parts at the discretion of PSI Woodworking Products. Excluded are parts which have been misused, abused, altered, or consumed by normal operation of the machine. Also excluded are direct or consequential damages to persons, properties, or materials. Your invoice serves as proof of purchase and must be referenced to authorize warranty repairs. Call your dealer for proper authorization.

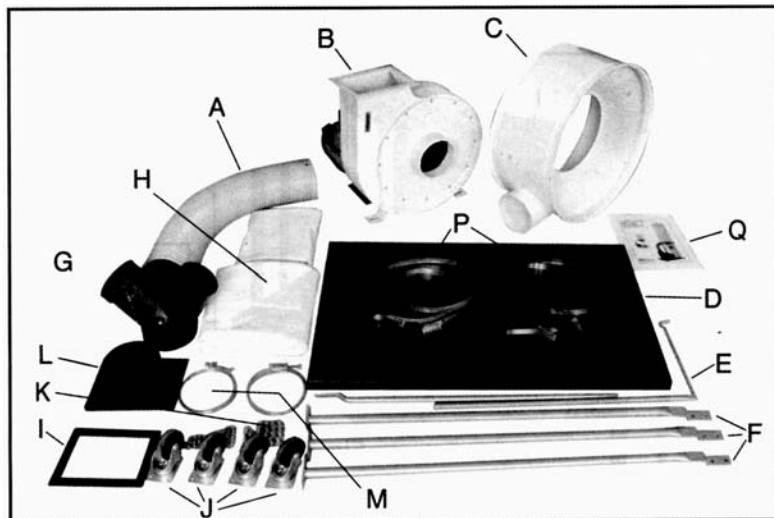
### Specifications

	#DC2000B	#DC2000BCF
Max CFM Free Air	1500	1500
VAC, Max Amps (single phase)	220V, 9A	220V, 9A
Horse Power	2 HP	2 HP
Max Static Pressure	9.5"	9.5"
Impeller Dia.	12" steel	12" steel
Sound	65 db	65 db
Weight	101 lbs.	125 lbs.

### Package Contents

Unpack carton and check contents with list below.

- A. Hose
- B. Motor Blower Assembly
- C. Collector Rim and Inlet
- D. Base Plate
- E. Upper Bag Support\*
- F. Rim Supports
- G. Inlet Wye
- H. 1 Micron Collector Bags\*
- I. Packing
- J. 4 Canisters Wheels
- K. Parts Bag with Nuts, Screws, Washers, Spring Washers, and Wrench
- L. Outlet Adapter
- M. 2 Hose Clamps
- N. #DCANISTER2 Filter Canister\*\*
- O. 7 mil Trash Bags - Pkg. of 10\*\*



### CONTENTS

\* Not included with #C2000BCF

\*\* Included with #DC2000BCF (not shown)

## Assembly

Place the base plate upside down and attach the four casters to the holes, tighten with the wrench and screws provided. (see Fig. 1)

With the collector body and fan/motor assembly in place, secure it to the base plate using the screws and washers provided as shown in Fig. 2

Next, mount the packing (I) and the outlet adapter (L) to the collector body as shown in Fig. 3 and Fig. 4.

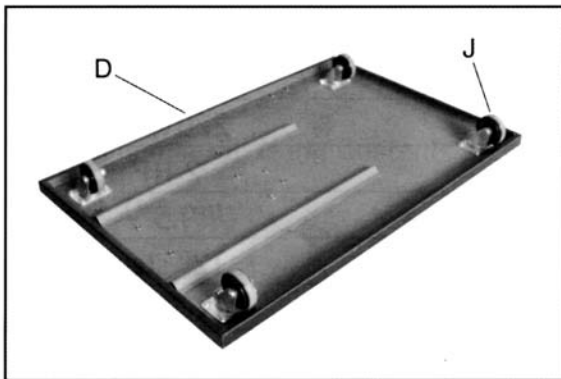


Fig. 1

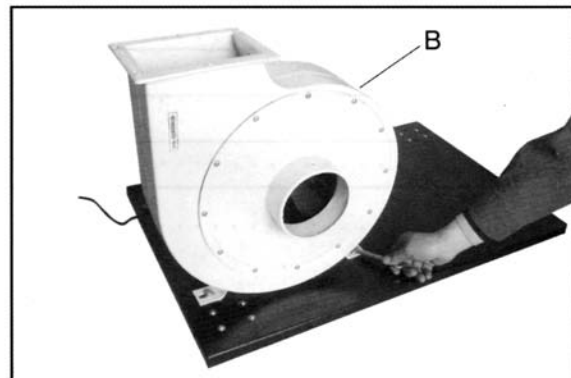


Fig. 2

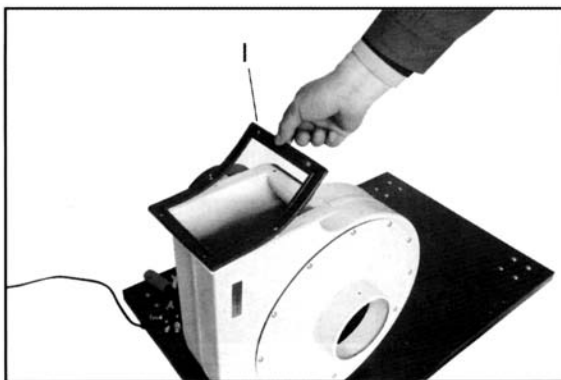


Fig. 3

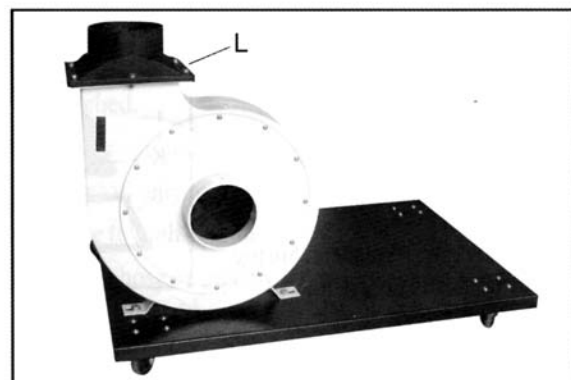


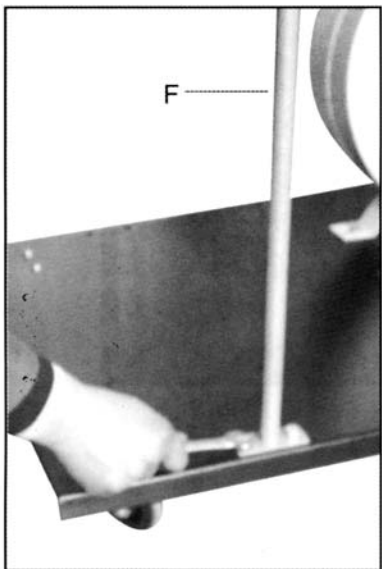
Fig. 4

The collector rim supports (F) can now be mounted to the base plate as shown in Fig. 5 and Fig. 6.

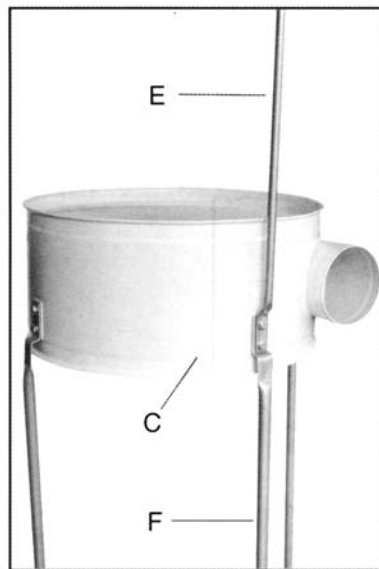
Now attach the collector rim (C) to the two collector supports, making sure the side hole is facing the collector body as shown in Fig. 6.

The upper bag support (E) may now be installed onto the collector as shown in Fig. 7.

**NOTE:** The upper bag support is not required on the **#DC2000BCF**.



**Fig. 5**



**Fig. 6**



**Fig. 7**

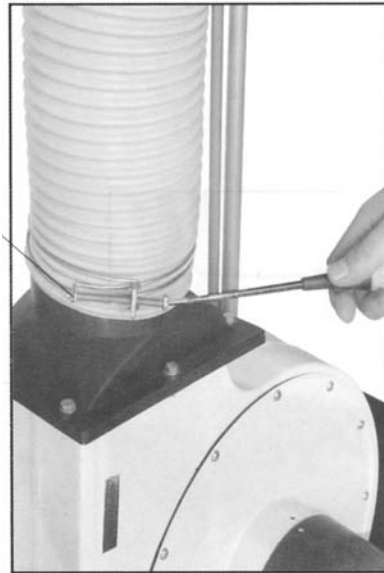
## #DC2000B

---

Now attach one end of the hose (A) to the outlet (L) and the other end to the side hole of the collector rim and secure with the two hose clamps (M) as shown in Fig. 8, Fig. 9, and Fig. 10.



**Fig. 8**



**Fig. 9**



**Fig. 10**

Your dust collector should now look like the one in Fig. 10. (Model **#DC2000B** - 1 micron bag model)  
Place the collector and filter bags (H) onto the collector and secure with the clamp as shown in Fig. 11.



**Fig. 10**



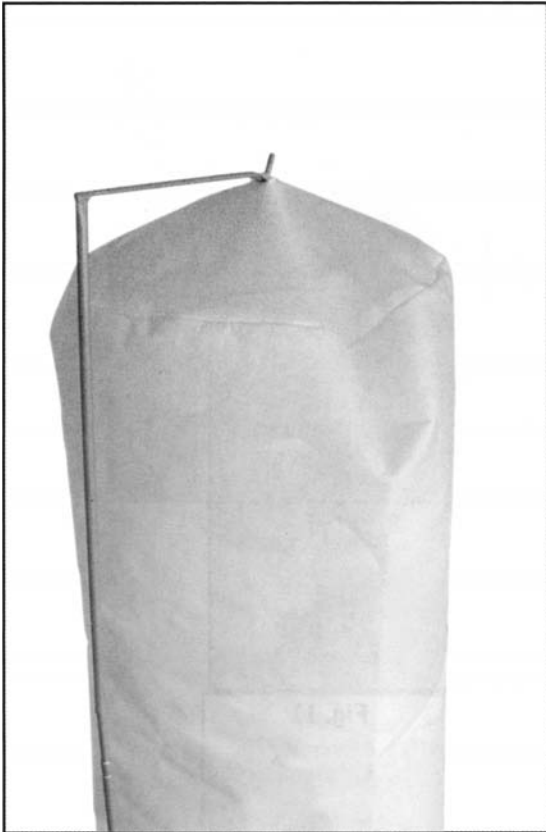
**Fig. 11**

---

**#DC2000B**

After the bags are secure, the upper bag should be hung from the upper bag support as shown in Fig. 12. The inlet wye (G) can now be placed on the intake hole of the fan/motor assembly as shown in Fig. 14. The dust collector is now ready to be placed into service. Before connecting to a power source, be sure the source is properly grounded (see pg. 11). Also, check your voltage and amperage.

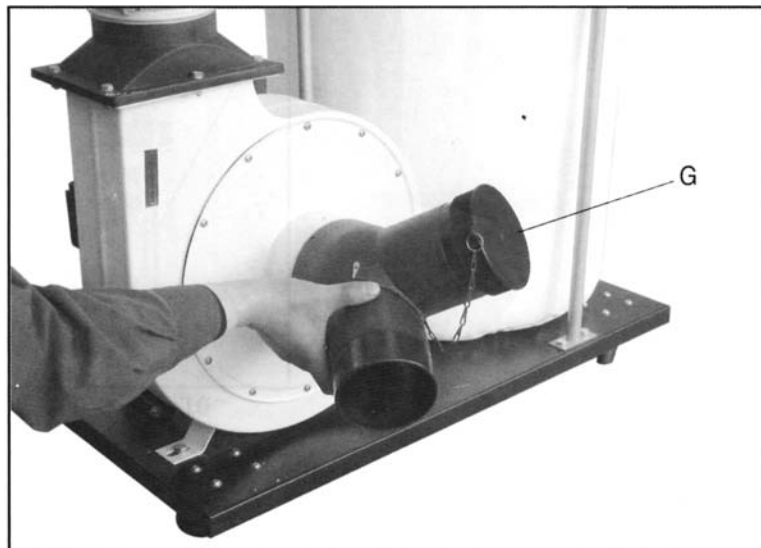
**#DC2000BCF**. Place canister on top of rim (see specific instructions that are included with the canister) then attach collection trash bag as shown in Fig.13.



**Fig. 12**



**Fig. 13**

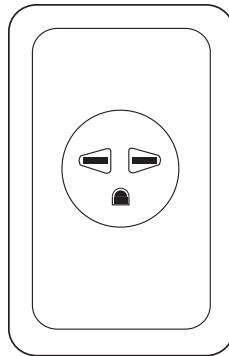


**Fig. 14**



## **Electrical Grounding**

1. In the event of a malfunction or breakdown, grounding provides a path of least resistance for electric current to reduce the risk of electric shock. This dust collector is equipped with an electric cord having an equipment grounding conductor and a grounding plug. The plug must be plugged into a matching outlet that is properly installed and grounded in accordance with all local codes and ordinances.
2. Do not modify the plug provided, if it will not fit the outlet have the proper outlet installed by a qualified electrician.
3. Improper connection of the equipment grounding conductor can result in a risk of electrical shock. The conductor wire with insulation has an outer surface that is green. If repair or replacement of the electric cord or plug is necessary, do not connect the equipment to a live terminal.
4. Use only 3-wire extension cords that have 3-prong grounding plugs and 3-pole receptacles that accept the dust collector's plug.
5. Repair or replace damaged or worn cords immediately.
6. This tool is intended for use on a 220V circuit that has an outlet that looks like the one illustrated in Fig. A.



**Fig. A**

**Parts List**

<b>Part #</b>	<b>Part</b>	<b>Quantity</b>	<b>Size</b>
1	Caster	4	2.5"
2	Nut	16	M6
3	Base plate	4	
4	Washer	16	Ø6MM
5	Motor base	1	
6	Screw hex	4	M8X15
7	Power cord	1	
8	Motor	1	
9	Switch	1	
10	Screw	2	M6
11	Allen wrench	1	4MM
12	Allen wrench	1	5MM
13	Upper bag support	1	
4	Collector support	2	
15	Screw hex	8	M8
16	Washer	8	Ø8MM
17	Key	1	M8X10
18	Packing	1	
19	Nut	8	
20	Washer	4	
21	Screw hex	4	
22	Impeller	1	
23	Screw hex	12	
24	Inlet wye	1	
25	6" inlet cover	1	
26	Screw hex	1	M8
27	Washer	1	M8X15
28	Screw hex	1	
29	Packing	1	
30	Outlet adapter	1	
31	Hose clamp	2	5"
32	Hose	1	5" x 36"
33	Collector	1	
34	Band clamp (bag)	2	19"
35	Filter bag	1	
36	Collector bag	1	19" x 46"
37	Collector support	2	19" x 32"

Parts Diagram

