

Supplementary Instructions for Pen Templates:

Designer # TPLMONT & Classic # TPLPARK

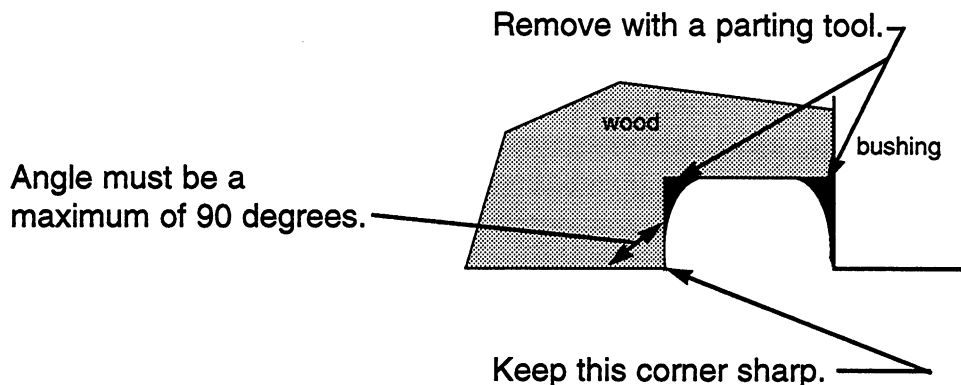
NOTE: For best results when setting up these templates, load a mandrel with the cap bushing first and bare brass tubes and bushings. Do not set up with wood blanks on the brass tubes.

REPLACE STEP 8 IN THE STANDARD TEMPLATE INSTRUCTIONS WITH:

Position the cutter tip precisely at the outside right corner of the cap bushing. This should be located at the left side of the mandrel, next to the locking bushing. (See diagram on the reverse side) Now slide the template so that the scribed index mark is aligned with the follower's point. Check to see that the template is parallel to the mandrel shaft, and lock in place.

TIPS:

- 1) The follower should be backed off from the template to allow material to be removed to correct dimensions, sand and finish the exterior surfaces.
- 2) FOR THE CLASSIC #TPLPARK: Be careful when turning the tenon to avoid cutting into the center bushing. See tip # 3.
- 3) After the general pattern is completed on all exterior surfaces, use a parting tool manually to create a sharp 90 degree edge on the outside corner of the tenon. You can do the same on the opposite end of the tenon to clear out the wood next to the bushing. (See Diagram below)

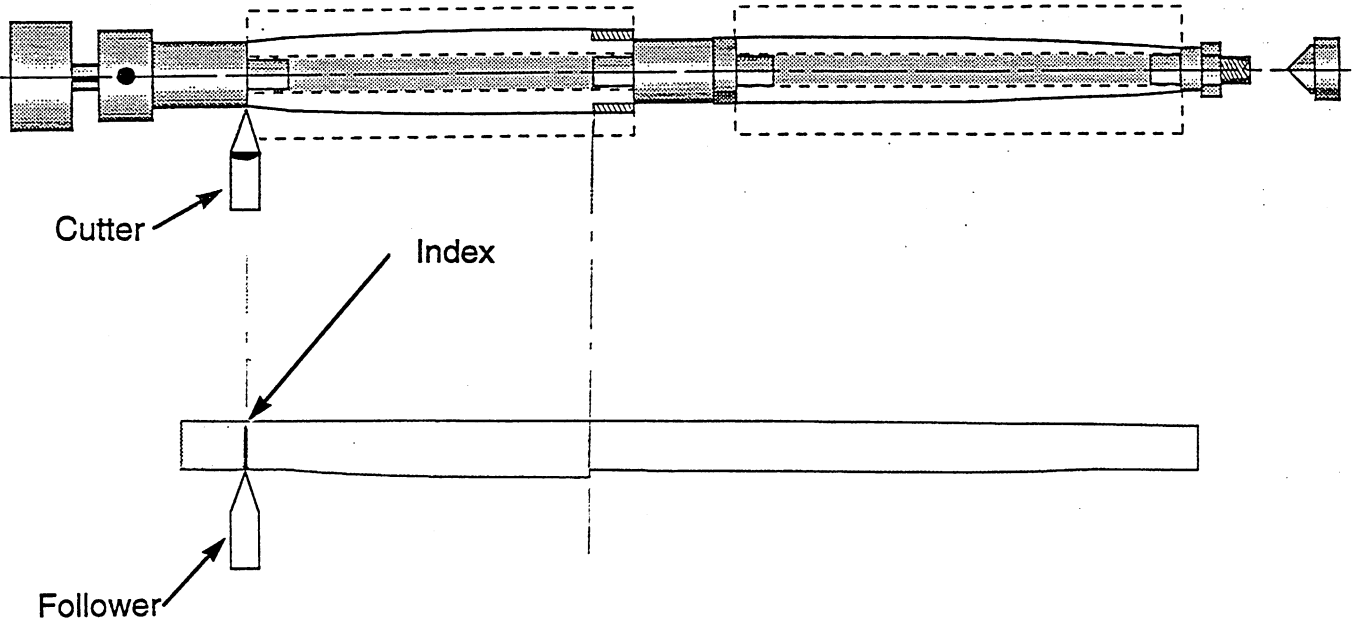


Product Compatibility:

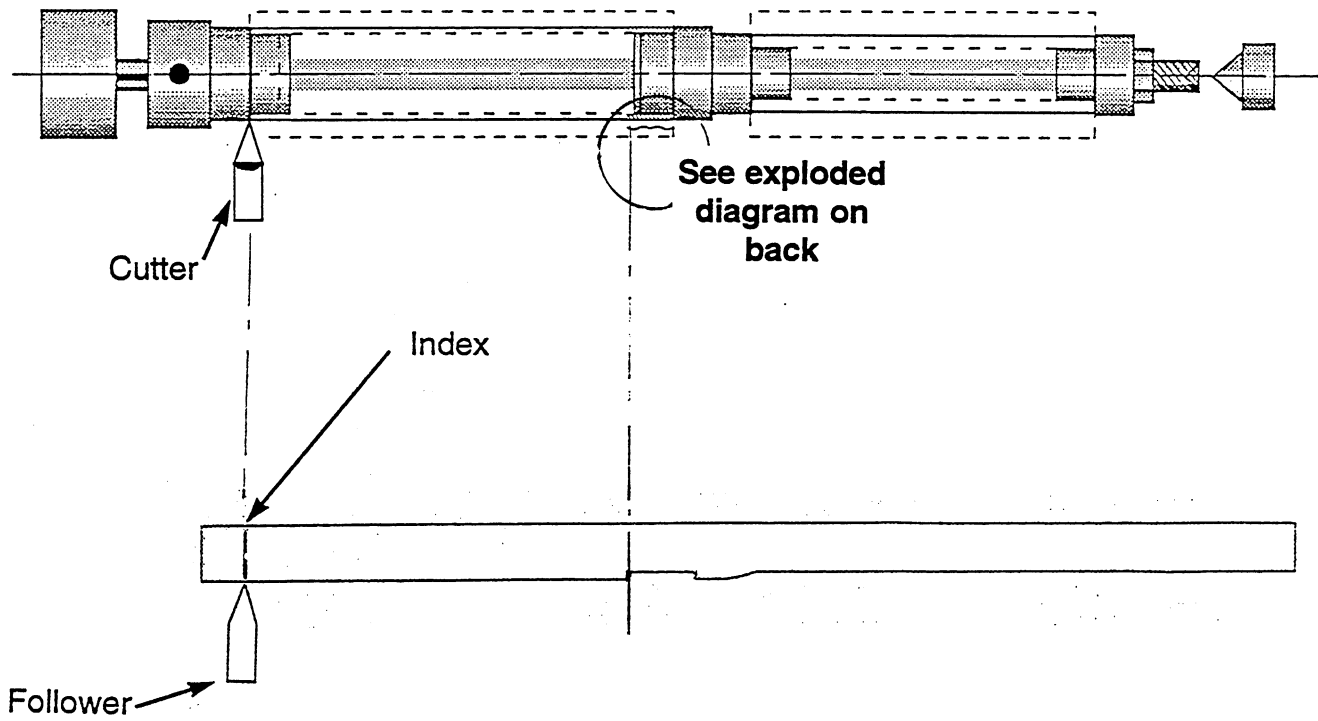
- 1) #TPLMONT may be used to make PSI kit styles: PKMONT, PKMONT-PCL & PKMONT-PAR.
- 2) #TPLPARK may be used to make PSI kit styles: PKPARK-G & PKPARK-C.

Alignment

#TPLMONT



#TPLPARK



Drawings NOT to scale.