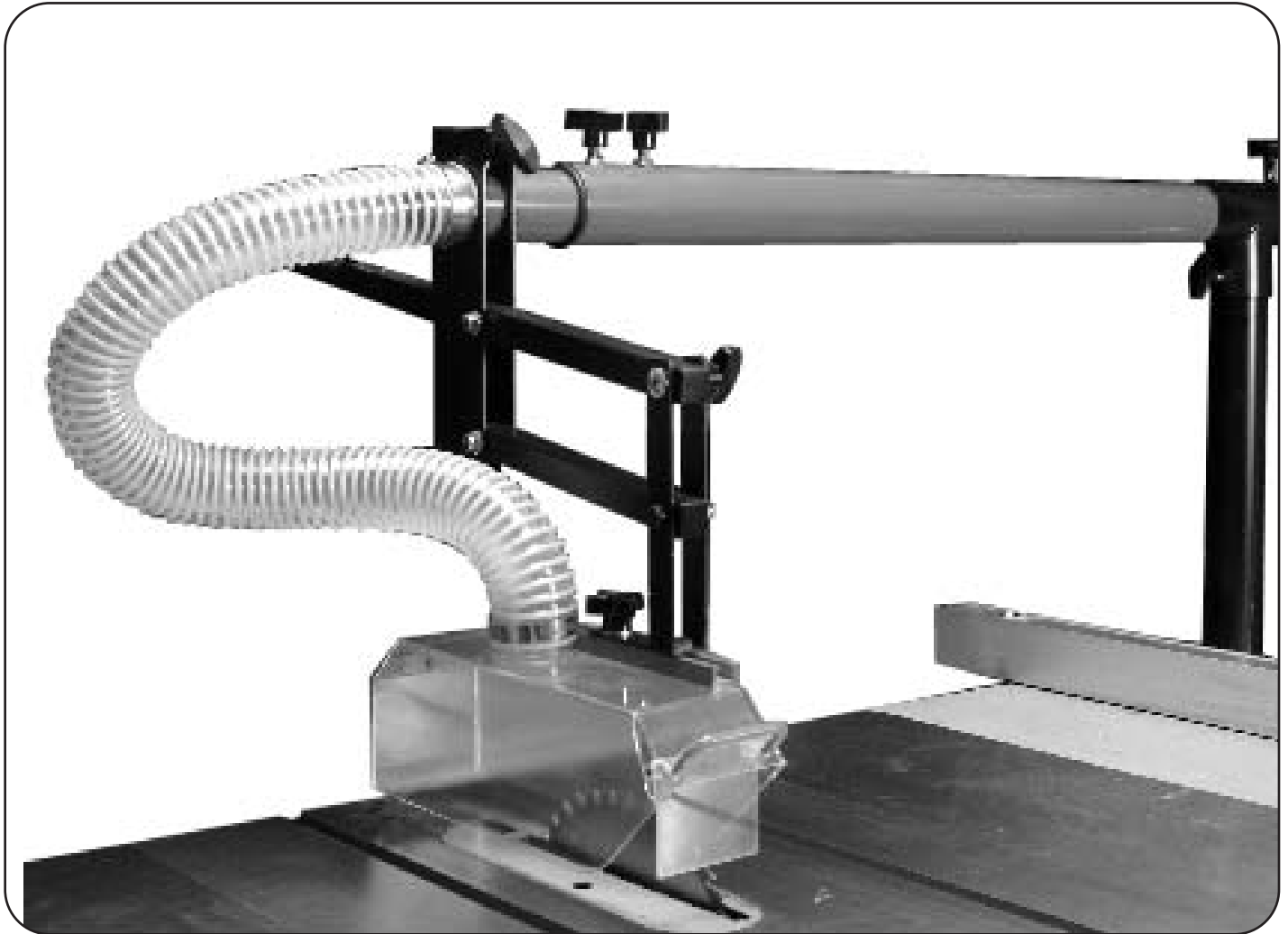


Owner's Manual

#TSGUARD

PSI Table Saw Dust Collection Guard

“The ideal solution for table saw dust control.”



Version 3, 02/04



©2004 PSI Woodworking Products
9900 Global Rd., Philadelphia, PA 19115

WARRANTY

Thank you for purchasing one of PSI's growing family of woodworking products. The **#TSGUARD** is engineered and manufactured to the highest standards of quality. You will find this product an essential accessory to your table saw.

This product is warranted against defects in material and workmanship for a period of two years for all components. This warranty applies to the original purchaser of the product and is limited to the repair and/or replacement of the product or its parts at the discretion of PSI Woodworking Products. Excluded are parts which have been misused, abused, altered, or consumed by normal operation of the machine. Also excluded are direct or consequential damages to persons, properties, or materials. Your invoice serves as proof of purchase and must be referenced to authorize warranty repair. Call your dealer for proper authorization.

Safety Instructions for PSI Table Saw Dust Collection Guard

Read these instructions thoroughly for proper installation of the **#TSGUARD**.

- The **#TSGUARD** is a dust collection device, not a safety guard.
- Wear eye protection – use safety glasses that comply with ANSI 287.1 safety lenses.
- Keep your hands and fingers away from the spinning saw blade.
- Use a push stick for narrow cutting.
- Turn off your table saw when adjusting the **#TSGUARD**.
- Turn your dust collection system on when using the **#TSGUARD**.
- Never use solvents on the plastic components of the **#TSGUARD**.
- Do not use the saw with a damaged cord, plug or other parts. Only install to a properly grounded outlet.
- Keep the blade cover away from contact with the spinning saw blade.
- Check the location of the saw blade in relationship to the blade guard prior to operating saw.
- Never remove guards from your saw.

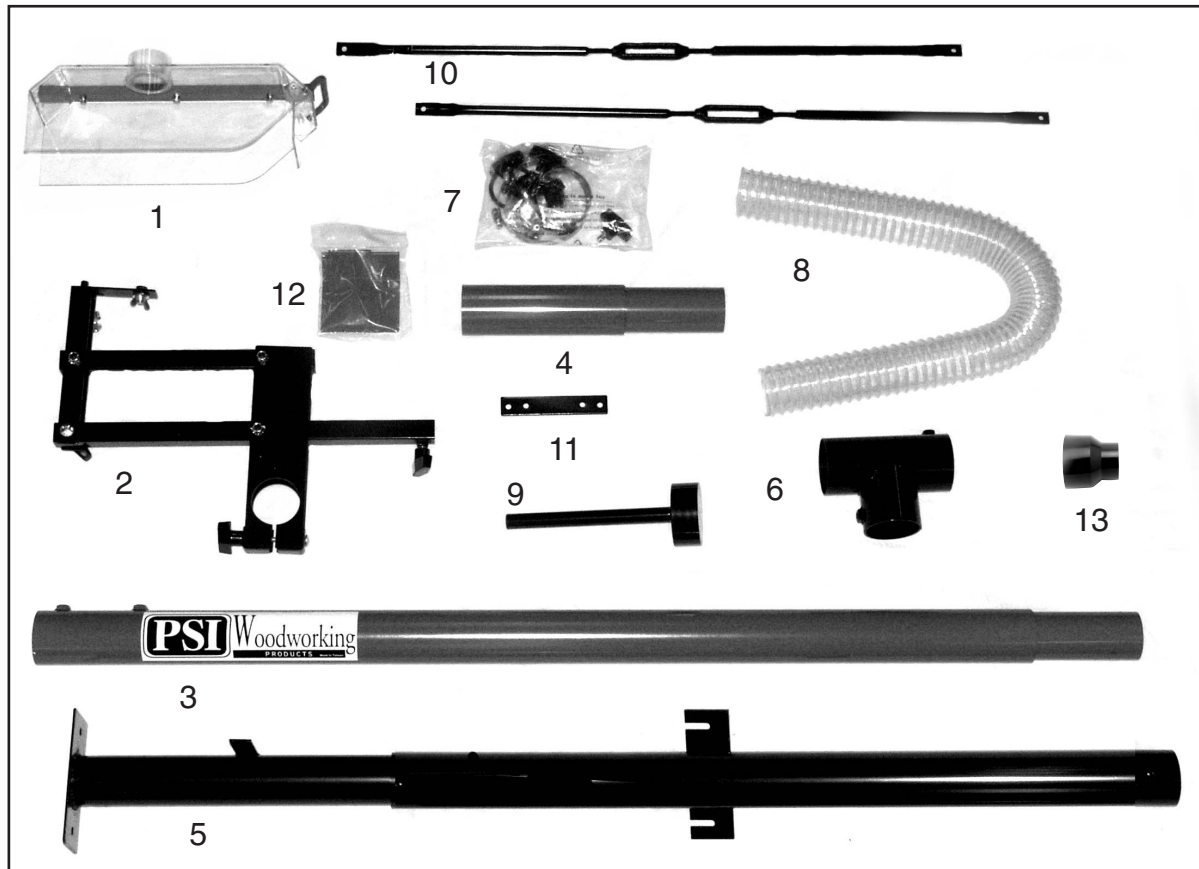
Features

- Accommodates saw blades up to 16" diameter.
- Can handle blades tilted for bevel cuts.
- Adjusts to suit thickness of material being cut.
- Accommodates splitter and anti kickback pawls.
- Connects to any standard 4" ductwork system.
- Boom extends to 83".
- Can mount to ceiling for maximum clearance.

Assembly and Instructions

Please make sure you have all of the parts necessary for assembly. In order to make the assembly as easy as possible, the PSI #TSGUARD has many of the individual parts pre-assembled. The pre-assembled parts and miscellaneous items consist of the following:

1. The dust hood assembly.
Molded dust cover with swinging front door, and handle.
2. Suspension assembly.
This attaches the dust hood to the adjustable red boom, with (3) knobs, wing nut and bolt.
3. Nested red boom tubes (2). Length=46" each.
4. Short boom assembly (for ceiling mount) Length= 13".
5. Nested black mast tubes (2) Length=23-5/8" and 35-3/8".
6. Mast to boom "T"-connector.
7. Loose bag parts consisting of:
4-band clamps (2) 2-1/2", (1) 3", (1) 4"
5-knob fasteners, assorted nuts, bolts and washers for assembly and (2) black "O" rings
8. 2-1/2" connector hose.
9. Counter balance weight.
10. Support rods and turnbuckles (2) packed together with table mounting plate.
11. Table mounting plate.
12. Full and half rear back hood covers (red) in a separate bag.
13. 3" x 4" black rubber adapter.



Preliminary positioning for mast assembly

Raise your table saw to its maximum position. Lay the suspension assembly on your saw table as shown. Position the mast (5) to the right of your table saw extension table and approximately 4" back from your table saw blade center line. (Fig. 1)

Step 1. Connecting Mast to Table

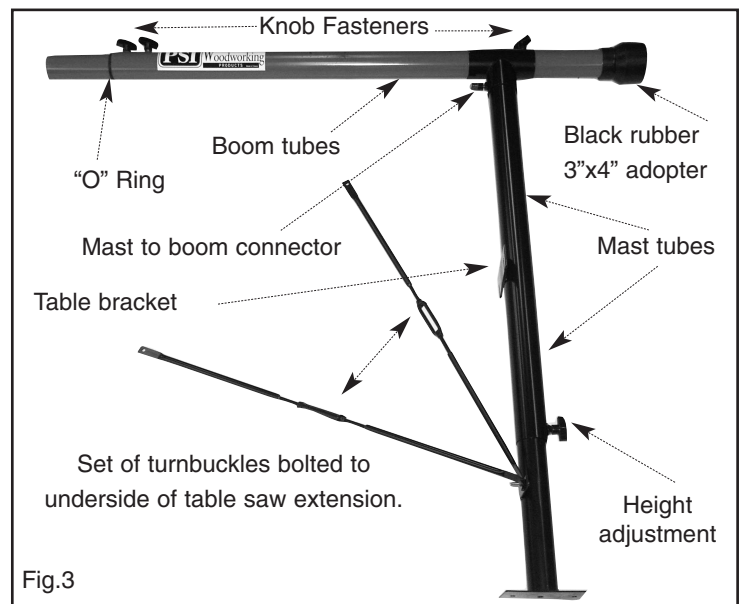
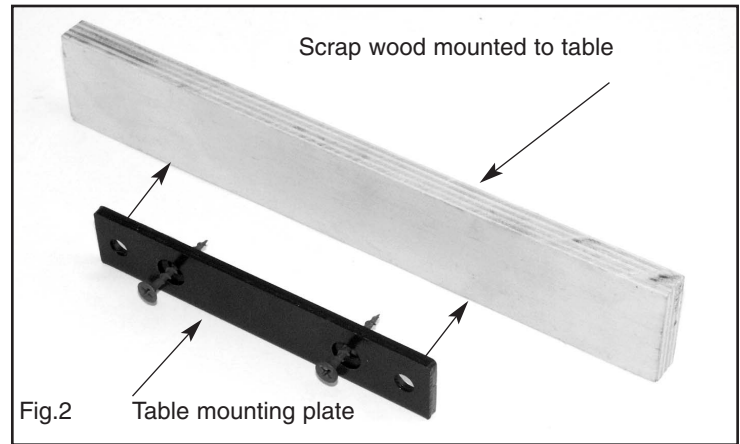
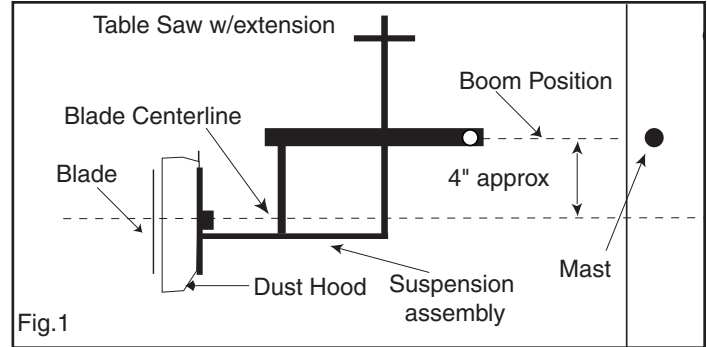
Using wood screws, (not provided) fasten the table mounting plate (11) to the table as shown in Fig. 2.

Next, unpack the nested black mast tubes (5) and attach one of the knob fasteners (7) to the top portion of the mast. Secure the two turnbuckles (10) with the short nut and bolt provided to the bottom portion of the mast. Extend the mast until it is long enough to reach the floor while connected to the table mounting plate (11) as shown in Fig.2. By adjusting the knob at the middle of the mast, allow the leg to extend down to the floor, and then tighten. Make sure the mast is at a 90-degree angle to the saw tabletop and floor. Fasten the two turnbuckles to the bottom side of the extension table. Fig. 3 shows the relationship to the table and the leg/turnbuckle. The end tabs of the turnbuckle will have to be bent to match up with the bottom of the table. Use wood screws to fasten the turnbuckles to the table. The mast is now in place and ready for the boom installation.

Step 2. Mounting the Boom

(Refer to Fig. 3) Affix the knob fasteners (7) to the boom tubes (3) (do not completely tighten). Carefully slide the inner tube of the mast out of the outside tube. Pull the tube out approximately one foot and tighten the knobs. Locate the black "T"-shaped mast and boom connector (6) and place it on top of the secured mast.

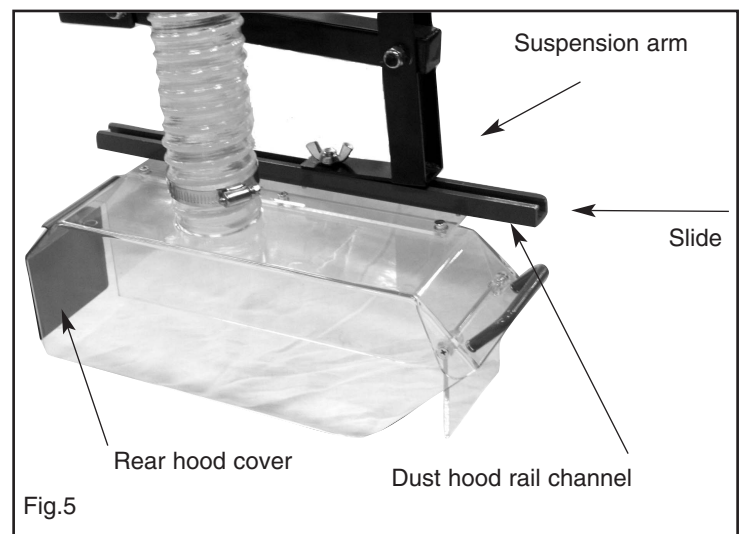
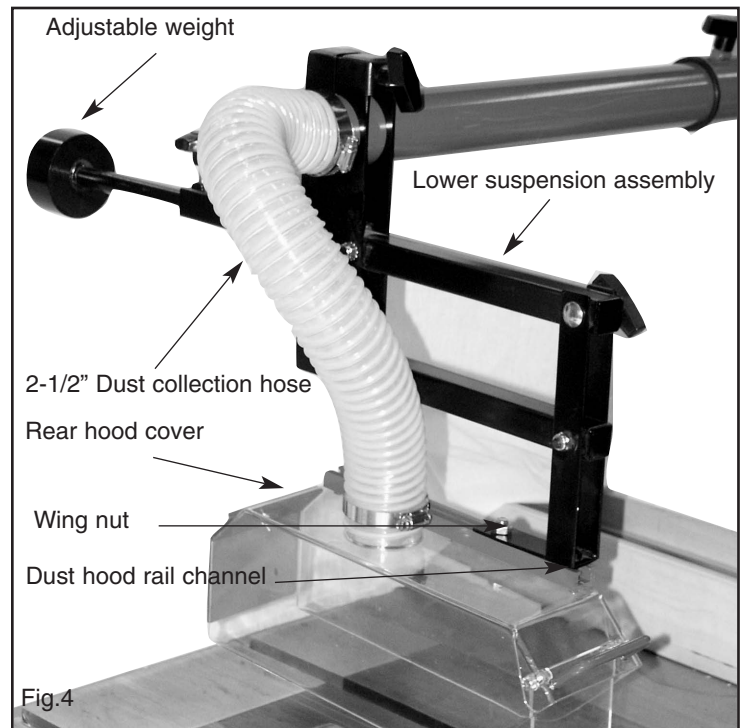
Using two knob fasteners, slide the boom, large end first, through the top connector and secure with knobs. The large boom should extend about 12" beyond the mast and edge of the saw table. The 3" to 4" rubber adapter (13) is now fastened to the right side of the boom with the 3" band clamp (7). Roll the "O" ring (7) onto the smaller end (left side) of the boom and butt it up against the larger tube end as shown. This ring will prevent air leaks. Note: the two knobs on the left end of the boom should be facing up.



Step 3. Mounting the Hood to the Suspension Assembly

(Refer to Fig. 4) First attach the 2-1/2" hose (8) to the top port of the dust hood assembly (1) using one of the 2-1/2" hose clamps (7). Next, align the lower section of the suspension assembly (2) with the rail on top of the dust hood assembly. Insert the 3/8" x 3/4" hex bolt (1) through the hole in the bracket and attach the wing nut as shown. Carefully slide nut and the pin of the suspension assembly onto the dust hood rail channel, when in place, secure by fastening the wing nut. The exact position may be adjusted later on.

This completed unit is now placed on the left end of the boom. Slide the dust hood on the rail channel until centered above the saw blade as seen in Fig. 5. Tighten the wing nut once positioned to secure the hood on the rail. The other end of the 2-1/2" hose is now attached to the open end of the boom and secured with the 2-1/2" hose clamp. Tighten the three shoulder bolts on the suspension assembly (7) (make sure the shoulders extend through the predrilled holes). Install the adjustable weight (9). Adjust the weight so the hood floats above the blade. The **#TSGUARD** is now complete and must at this time be adjusted to align properly with the blade of the table saw.



Step 4. Connecting to Dust Collector

Connect a 4" flex hose (not included) to the 4" end of the 3" x 4" rubber adapter (13) at the end of the boom and secure with a 4" hose clamp (7). If this device is to be used in conjunction with a standard type table saw dust control system it is advised that you utilize the PSI combination wye and blast gate adapter sold separately (see page 6, Fig. 7).

Step 5. Using the Guard

When properly adjusted the hood will completely cover the saw blade. Adjust the weight so that the assembly moves up and down with one hand to allow for various sizes of stock. The hood itself should not touch the wood, but should be about 1/4" above the wood. If you are using a standard table saw with a long splitter coming out of the back of the saw, you will need to replace the full rear hood cover with the half cover. Placement of this cover can be made to either the right or left side of the hood. Saws with the newer, smaller splitters should use the full rear hood cover.

Ceiling Mounting Option

If you want complete clearance around your table saw, it is possible to mount the #TSGUARD on the ceiling, as shown in Fig. 6. Carefully pick a spot to mount the mast base on the ceiling so that it will be secure. Extend the mast so that the center point of the boom to mast connector (6) is about 19" above the saw table.

- Tighten the lock knobs to secure the mast sleeves and mast to the boom connector. Mount the turnbuckles (10) to the table bracket and secure them to the ceiling.

- Slide the 13" short boom assembly (4) through the mast to the boom "T"-connector (6), secure it with the knob and attach it to the suspension assembly.

- **IMPORTANT** When in position, secure the black mast tubes and tube connectors with sheet metal screws drilled through the tubes where they connect and slide together. Knob pressure will not be sufficient to secure the tubes together when hanging from the ceiling.

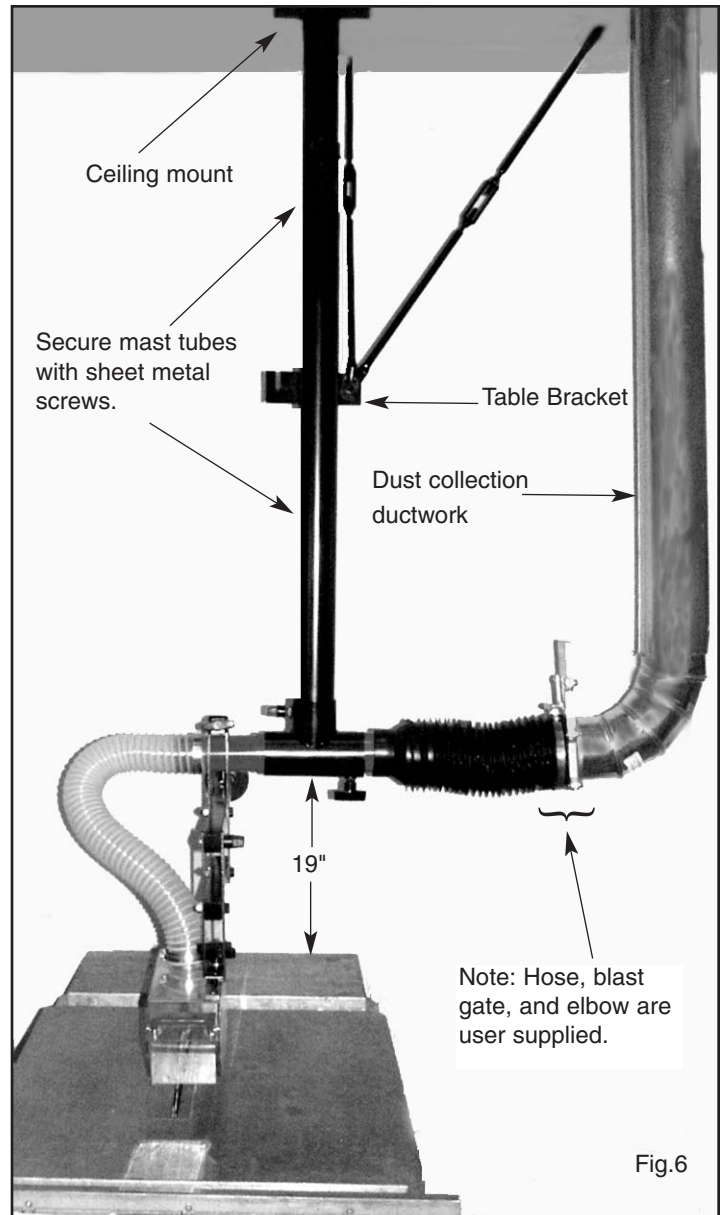
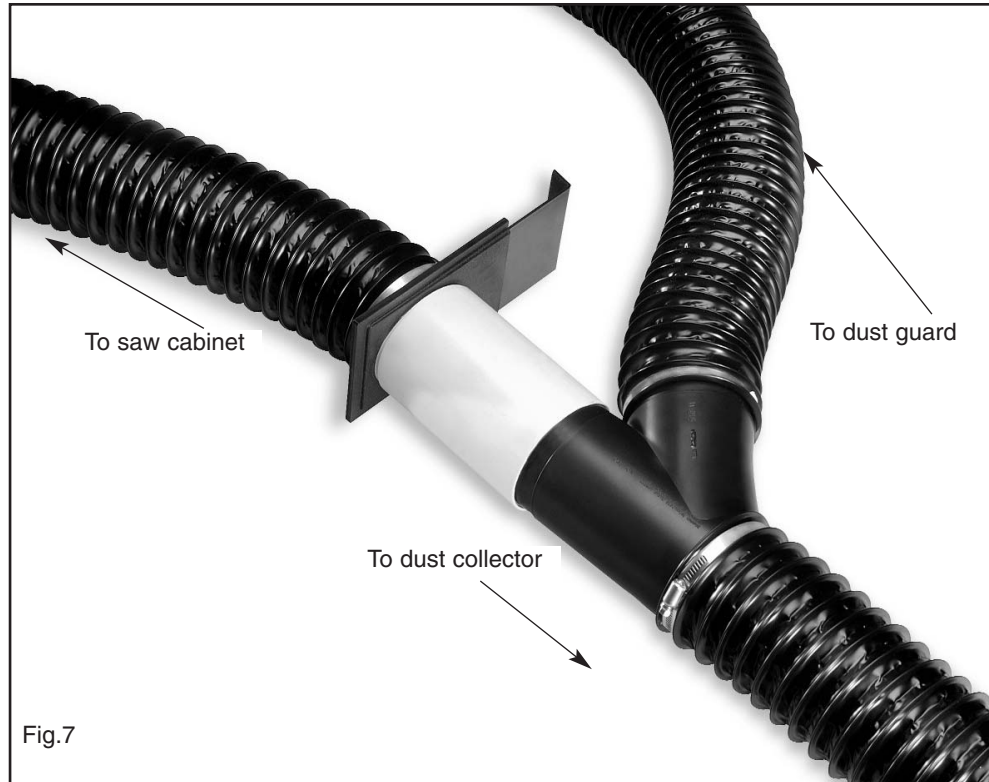


Fig.6

Dust Control Suggestions

It is beneficial to collect dust simultaneously from both the **#TSGUARD** and from within the table saw cabinet. Fig. 7 shows the necessary hardware for this arrangement. Airflow to the **#TSGUARD** and cabinet is adjusted by varying the opening of the blast gate.

This assembly is available from PSI as item **#TSDCKIT**. To connect to the saw cabinet use item **#DT2** for 12" cabinet openings and item **#DT4** for 14" openings.



Other PSI Accessories

Other accessories include a replacement dust hood **#TSGUARD-DH** and various blast gate systems.



©2004 PSI Woodworking Products
9900 Global Rd., Philadelphia, PA 19115