

Flip LED Pen Stylus Kit

PKTS300 • PKTS301

Kit Features:

- Easy to turn with a straight tube
- Minimum parts - easy to assemble
- Available in multiple finishes
- Uses Mini Refill
- Batteries Included (3) #AG1
- Overall Length: 5-1/16"

Required Accessories:

- 7mm Pen Mandrel
- Drill Bit: 11mm #PKPARK11M
- Bushing set(2 pc) #PKTS300BU
- Live Tailstock Center
- 2 Part Epoxy Glue (#PKGLUE2) or Insta Cure (Cyanoacrylate) Glue
- Pen Blank: Minimum Size - 3/4" sq x 3 L"

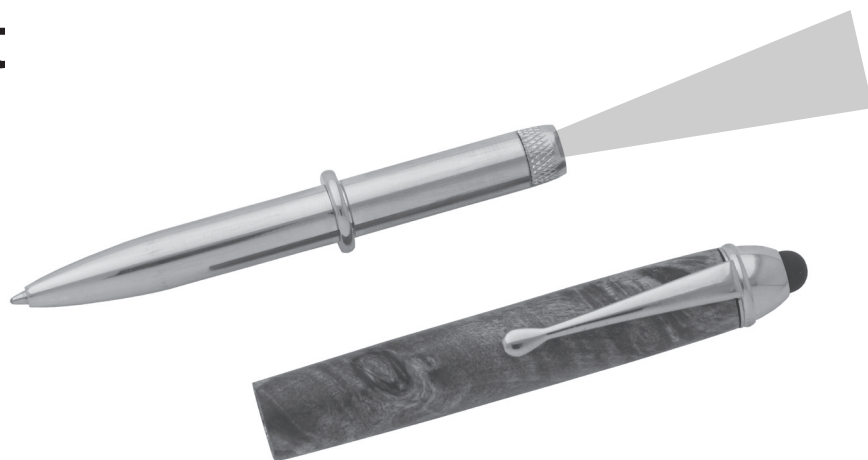
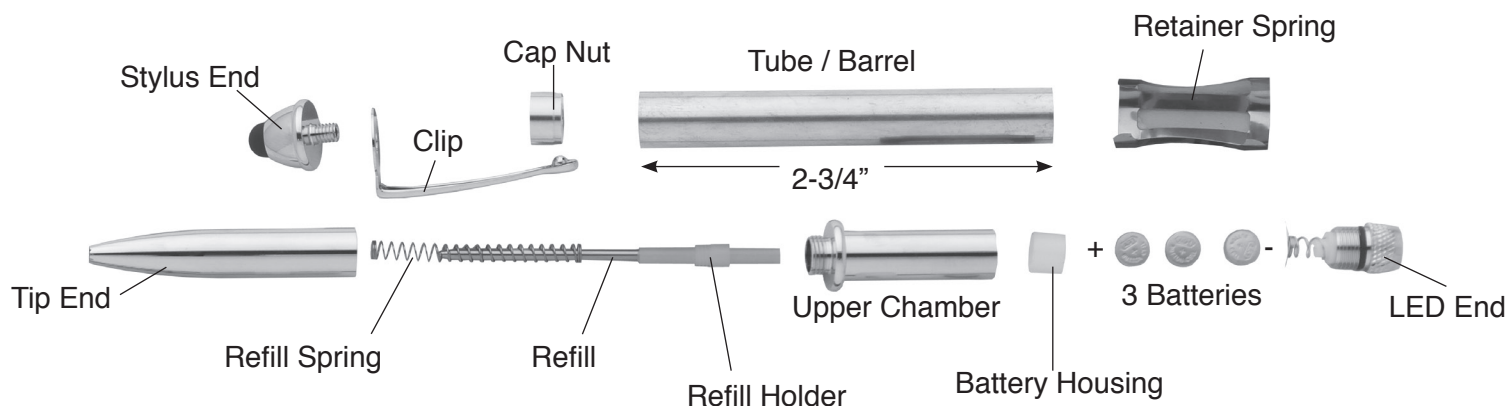
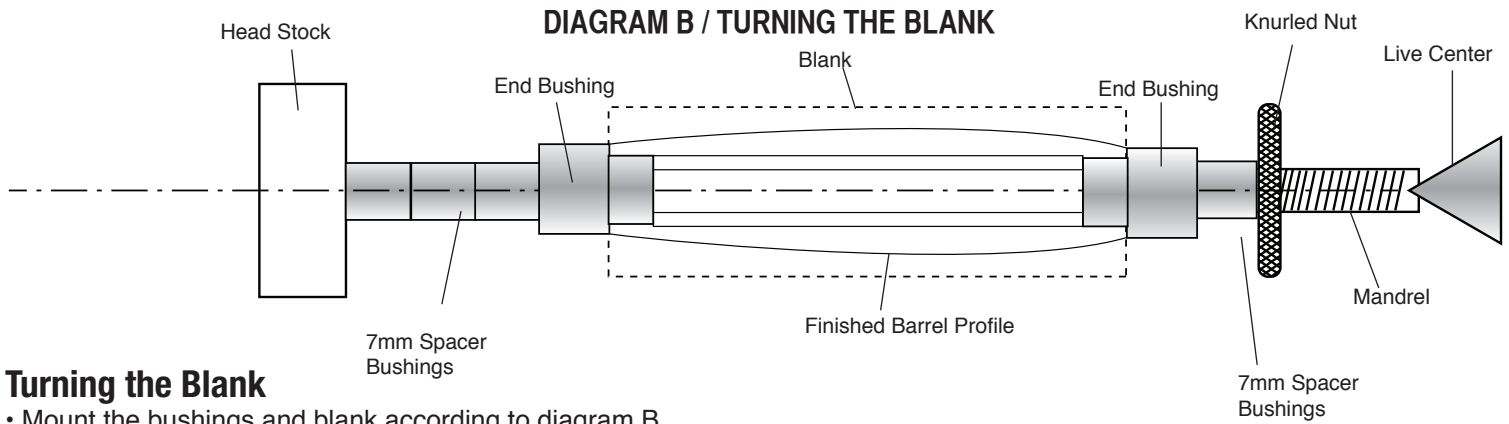


DIAGRAM A / PARTS LAYOUT



Preparing the Blank:

- Cut a blank to the length of the tube and add 1/16" for squaring off.
- Drill a 11mm hole lengthwise through the blank.
- Spread glue over the tube, insert into the blank with a twisting motion to spread the glue evenly inside.
- Center the tube lengthwise inside the blank.
- When the glue is dry, square the ends of the blank. You can use a 7mm barrel trimmer with a sleeve, or a universal pen blank squaring jig with a power disc sander. Take the excess material down flush with the ends of the brass tube. (do not trim beyond the length of the tube)



Turning the Blank

- Mount the bushings and blank according to diagram B.
- Thread on the knurled nut and hand tighten to hold all components in place.
- Slide the tailstock up snugly against the mandrel shaft inserting the live center point into the mandrel dimple, lock in place.
- Hand tighten the quill adjustment to firm up the mandrel. (DO NOT overtighten, it could damage the mandrel.)
- Using sharp tools, turn the blank down close to the bushing diameter. Turn the barrel (straight or to a profile of your choice)
- Sand the blank down to be flush with the bushings gradually increasing the sandpaper grits.
- Finish the barrel with your choice of polish. Allow sufficient time for the polish to cure.

Refer to polish instructions.

Assembly

- Layout parts according to diagram A
- Press the cap nut, recessed end in first into the opening of either end of the barrel.
- Place the clip over the threads of the stylus end, screw into the cap nut.
- Insert the retainer spring into the opening at the opposite end.
- Affix the refill spring over the refill. Insert refill holder in first into the smaller opening at the upper chamber. Screw the tip end over.
- Insert batteries (3) plus side upwards into the battery housing. Insert this assembly into the opposite opening of the chamber. The + sign must face the chamber and the - sign towards the led.
- Thread on the led end over the batteries.
- The pen light operates by rotating the led end a 1/4 turn clock wise to turn on.
- When using the pen for writing, pull out the upper chamber. Turn it around, and insert it into the barrel to expose the tip.
- When using the stylus, store either the tip or the led in the barrel.

Diagram C / Bushings #PKTS300BU

