

# Model #PKTOOL

## Mini Keychain Screwdriver Kit

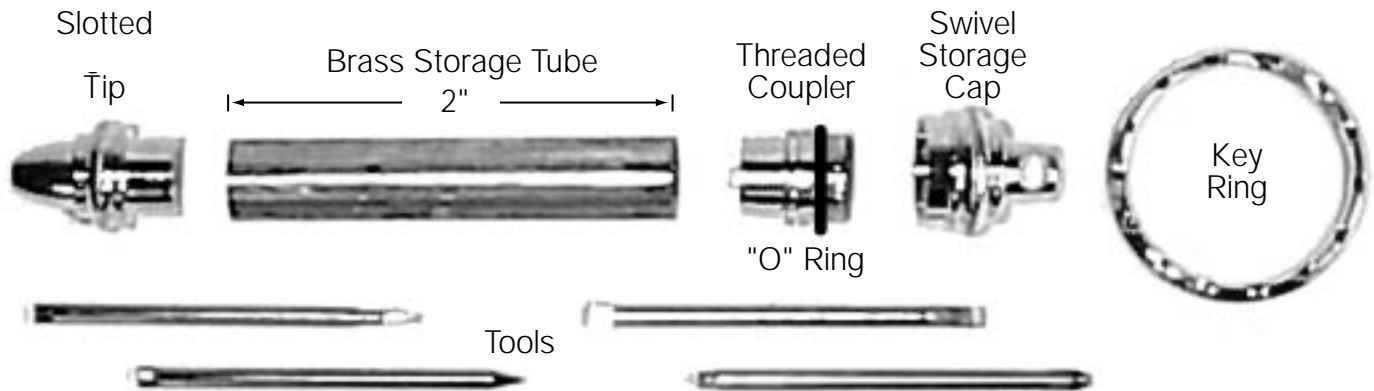
### Kit Features:

- 24kt gold plated parts with epoxy coating
- 4 Handy mini tool stems: 1 awl, 1 phillips, 2 blades
- Slotted base tool holder
- Swivel end cap for one hand operation
- Overall length (less ring and tool): 3 -1/8 " 4-1/8" with tool

### Required Accessories:

- 7mm, long mandrel
- 10MM drill bit - #PK10-10
- 10MM drill guide - #PK10-DG (optional)
- 10MM barrel trimmer #PK-TRIM10
- 10MM bushing set #PK10-BUSH3
- 2 part epoxy glue or insta-cure (cyanoacrylate)

Diagram A / Parts Layout

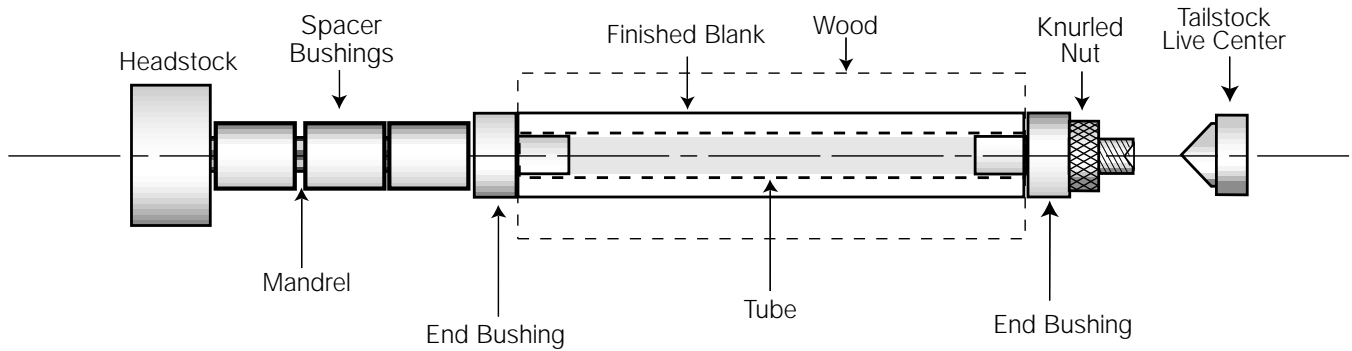


*Note: Illustration not to scale*

### Preparing the Blank

- Cut a 3/4" square blank, to the length of the brass tube (add 1/16" for squaring off).
- Drill a 10mm center hole lengthwise through the blank.
- Spread glue over the brass tube. Insert it into the blank with a twisting motion to spread the glue evenly inside.
- Center the tube lengthwise inside the blank.
- When the glue dries, square the ends of the blank. Use a 10mm barrel trimmer or a universal pen blank squaring jig to take the wood down flush square to the brass tube.

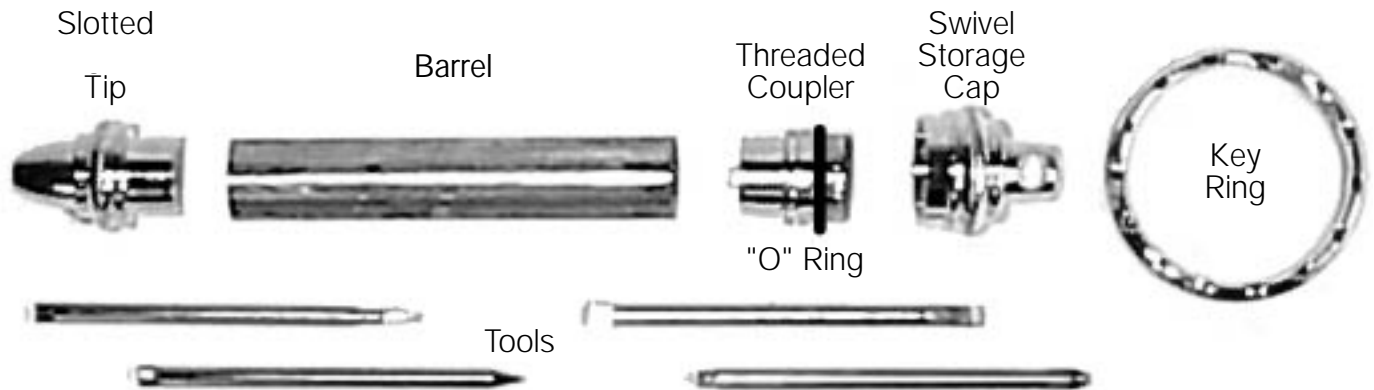
## Diagram B / Turning the Blank



### Turning the Blanks (see Diagram B)

- Place 4-5, 7MM spacer bushings on the mandrel. Next, place the end bushing on the mandrel (wide end first). Then the wood blank, and the other end bushing (narrow end first). Use additional bushings to fill up the space on the mandrel. Thread on the knurled lock nut. Engage the tail stock with the live center snug into the mandrel shaft. Lock it in place (Do not over tighten, it may damage the mandrel). Tighten the knurled lock nut to secure the blank from spinning over the shaft.
- Turn the blank to the design of your choice. It is not necessary to turn the wood flush to meet the bushings diameter. Be creative and design your own unique tool holder profile.

## Diagram C / Assembly



### Assembly

- Press the slotted tip into the finished barrel.
- Press the threaded coupler into the opposite end.
- Place the tools into the storage space.
- Insert the key ring into swivel storage cap hole, thread it onto the coupler.
- To use the various tips just remove the selected tool from storage. Insert tool into the tip, turn it inside pushing down until it fits into the slot. It is now ready to use.

PK10-BUSH3  
(Use end pieces only)

