

Ratcheting Single Bit Screw Driver Kit

#PKSDKRB - Midi Includes:

- Reversible ratcheting mechanism
- 1 each driver bit size: PH1
- Shaft: 55mm

#PKSDKRC - Mini Includes:

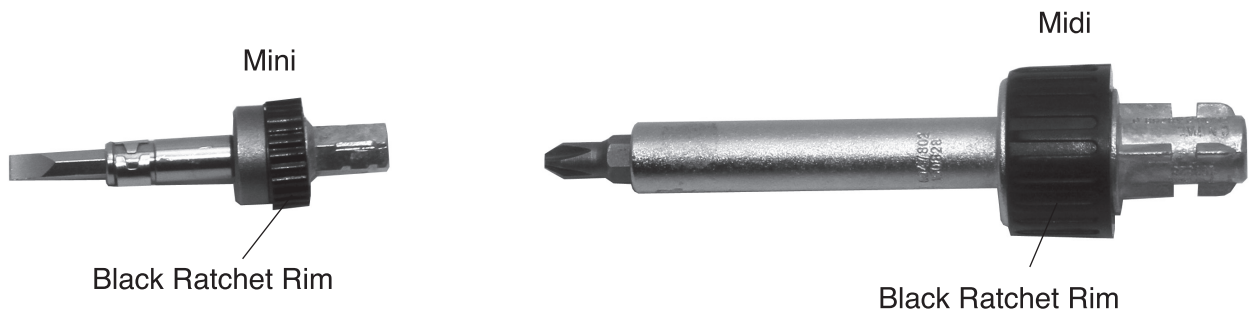
- Reversible ratcheting mechanism
- 1 each driver bit size: 4mm

Required Accessories:

- 4 Prong or Super Drive Center
- 60° Heavy Duty Live Center
- 9/16" Drill Bit #PKDB916 for Midi
- 3/4" Forstner Bit #FB34 for Midi
- 3/8" Drill Bit #PKEXEC-38 for Midi
- Wood Required for Midi: 2" sq x 4-1/2" Long
- Wood Required for Mini: 1-1/2" sq x 4" Long



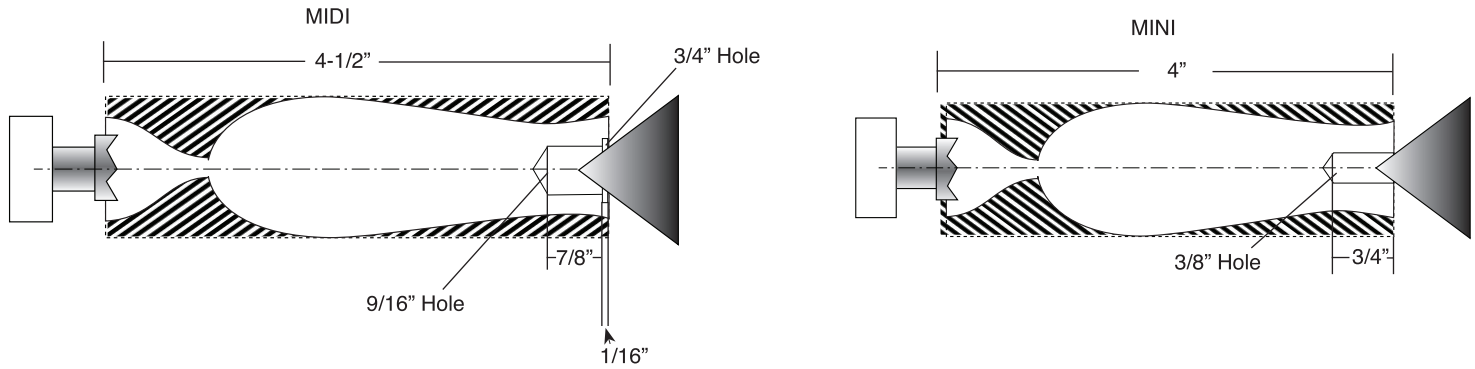
DIAGRAM A / PARTS LAYOUT



Preparing the Blank: (see diagram B)

- Mark the center of each blank on both ends.
 - Midi:** Drill a 3/4" hole, 1/16" deep at one end. Continue with a 9/16" bit to 7/8" deep.
 - Mini:** Drill a 3/8" hole 3/4" deep.
- Drill a pilot hole at the opposite end of each blank.

DIAGRAM B / TURNING THE BLANKS

**Turning the Blank**

- Mount the blank between a drive center and a 60° live center. Lock in place.
- Turn to the handle profile of your choice.
- Leave a small bridge to keep the wood together for finishing.
- Sand and finish the wood with industrial finishing oil.
- Part the wood, sand and finish the space manually.

Assembly

- Mix epoxy glue. Apply glue liberally into the opening of the hole. Carefull, avoid getting glue from the smaller inside hole onto the black ratchet rim.
- Insert the base of the mechanism into the hole to bottom and let dry.

Operating the screw driver

Midi: Follow the arrows on the black rim. Turn arrow counter clockwise to drive a screw in. Turn arrow counter clockwise to unscrew. Place in the middle to disengage the ratchet.

Mini: Turn Black rim counter clockwise until it stops to drive a screw in. Turn the rim clockwise to unscrew. Place in the middle to disengage the ratchet.

To insert or remove the driver bit, just push in or pull out the tip from its seat.

