

# OWNER'S MANUAL

## #DC2000Y

## #DC2000YCF

2 HP, 1500 CFM DUST COLLECTOR

VERSION 1 -w/ 6" INLET PORT



Model: #DC2000YCF



Model #DC2000Y



9900 Global Rd.  
Philadelphia, PA 19115

Thank you for purchasing one of PSI's growing family of woodworking products. Our #DC2000Y dust collector is engineered and manufactured to the highest standards of quality.

**Read this manual carefully before assembly, testing and operation.**

**⚠WARNING:** Do not operate this unit until the PVC hose is installed onto the dust inlet port.

## Table of Contents

Safety Instructions .....	pg.2
Specifications .....	pg.3
Unpacking and Checking Contents .....	pg.3
Package Contents .....	pg.3
Assembly .....	pg.4
Electrical Grounding .....	pg.11
Parts List & Parts Diagram .....	pg.12

### Safety Instructions for Model #DC2000Y Dust Collector

1. Do not vacuum or use this system near flammable or combustible liquids, gases, gasoline or other fuels, cleaners, oil-based paints, natural gas or explosive dust like coal dust, magnesium, grain dust, or gun powder.
2. Do not vacuum anything that is burning or smoking such as cigarettes, cigars, pipes or hot ashes.
3. Do not vacuum toxic materials or use near hazardous materials.
4. Do not use outdoors or on wet surfaces. Do not operate with a full waste container.
5. Do not use without the dust filter bag or canister attached.
6. Turn off all controls before unplugging. Do not unplug by pulling on the cord, use the plug.
7. Do not use with damaged cord, plug or other parts. Install only to a properly grounded outlet
8. Do not wear loose clothing in the area of any inlets due to high suction.
9. If your ducting has only plastic hose or pipe, ground the hose or pipe by wrapping bare copper wire around the exterior surface and grounding the wire at either end.
10. Keep hands free of the spinning impeller.
11. The DC2V3 is only warranted and guaranteed for the collection of wood dust even through it may be quite suitable for other applications.

### Warranty

This product is warranted against defects in material and workmanship for a period of two years for all components. This warranty applies to the original purchaser of the product and is limited to the repair or replacement of the product or its parts at the discretion of PSI Woodworking Products. Excluded are parts which have been misused, abused, altered, or consumed by normal operation of the machine. Also excluded are direct or consequential damages to persons, properties, or materials. Your invoice serves as proof of purchase and must be referenced to authorize warranty repairs. Call your dealer for proper authorization.

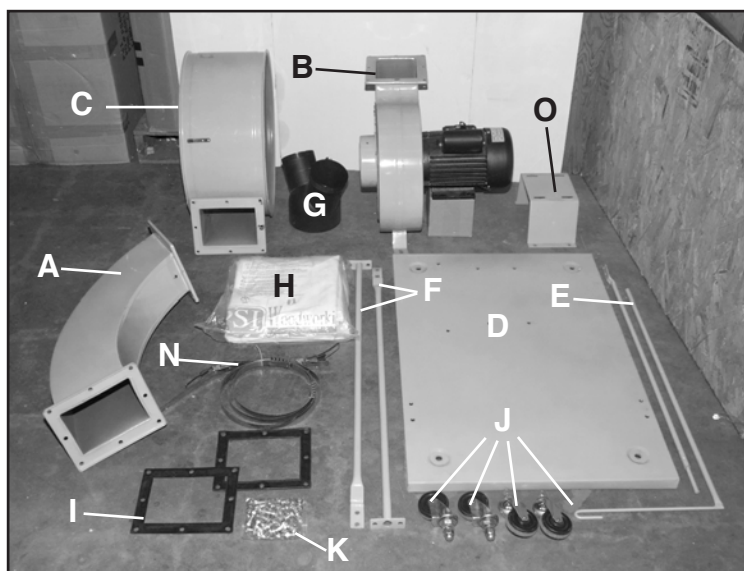
### Specifications

	#DC2000Y	#DC2000YCF
Max CFM Free Air	1500	1500
VAC, Max Amps (single phase)	220V, 9A	220V, 9A
Horse Power	2 HP	2 HP
Max Static Pressure	9.5"	9.5"
Impeller Dia.	12" steel	12" steel
Sound	65 db	65 db
Weight	101 lbs.	125 lbs.

### Package Contents

Unpack carton and check contents with list below.

- A. Blower Housing Outlet Connector
- B. Motor Blower Assembly
- C. Collector Rim and Inlet
- D. Base Plate
- E. Upper Bag Support (2pc)
- F. Rim Supports (2pc)
- G. Inlet Wye
- H. 1 Micron Collector Bags \*
- I. Blower Housing Connector Gaskets (2pc)
- J. 4 Floor Casters
- K. Parts Bag with Nuts, Screws, Washers, Spring Washers, 2 Allen Wrenches
- L. #DCANISTER2 Filter Canister \*\*
- M. 7 mil Trash Bags -Pkg. of 10 \*\*
- N. Bags Clamps (2pc)
- O. Motor Base



\* Not included with #DC2000YCF

\*\* Included with #DC2000YCF (not shown)

## Assembly

Place the base plate (D) upside down and attach the four casters (J) to the holes, with flat washer, tooth washer and acorn nut provided. (see Fig. 1). Attach the motor base (O) to the motor with hex bolts (4 each, flat washers and nuts (provided)

With the motor blower housing assembly (B) and motor base (O) in place, secure both to the base plate using the screws and washers provided as shown in Fig. 2 and Fig 2a.

Next, mount the blower housing gasket (I) and blower housing outlet connector (A) to the motor blower assembly as shown in Fig. 3 and Fig. 4.

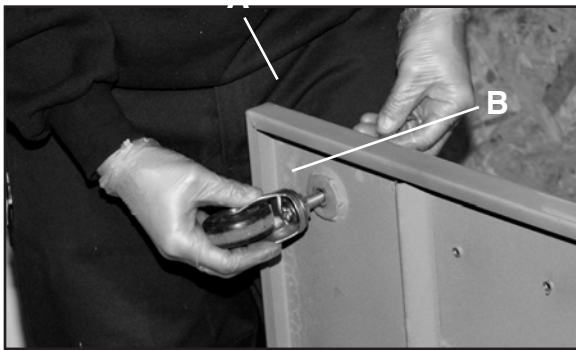


Fig. 1

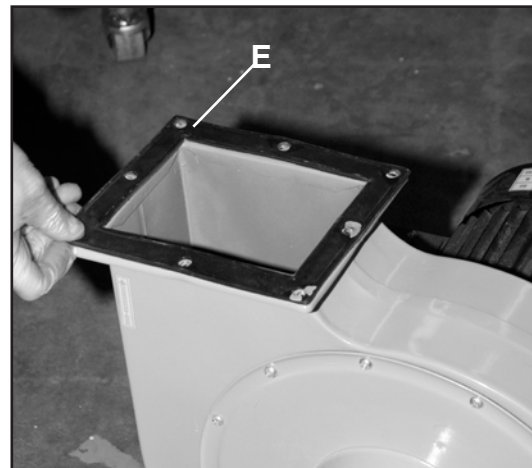


Fig. 3

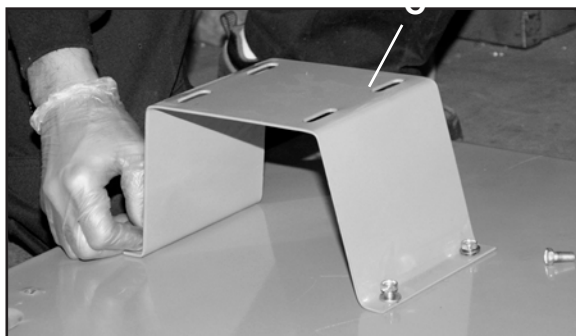


Fig. 2



Fig. 2A



Fig. 4

The collector rim supports (F) can now be mounted to the base plate (D) as shown in Fig. 5.

Now attach the collector rim (C) to the two collector supports, making sure the side inlet hole is facing blower housing outlet the collector body as shown in Fig. 6.

The upper bag support (E) may now be installed onto the collector ring as shown in Fig. 7.

**NOTE:** The upper bag support is not required on the #DC2000YCF.

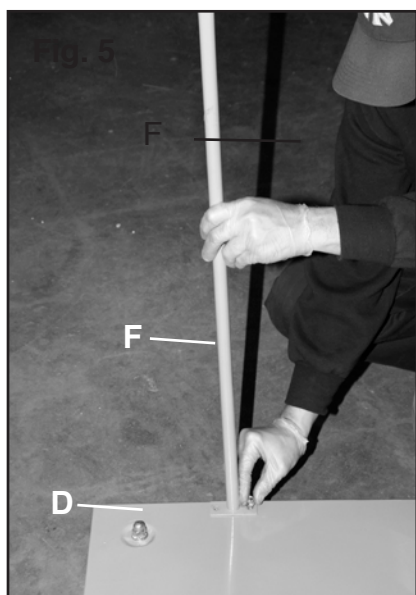


Fig. 5



Fig. 6



Fig. 7

Now attach one end of the motor blower housing connector (A) to the inlet of the collector rim (C) and secure with hex head screws and flat washers provided as shown in Fig. 8 and Fig. 9.



Fig. 8

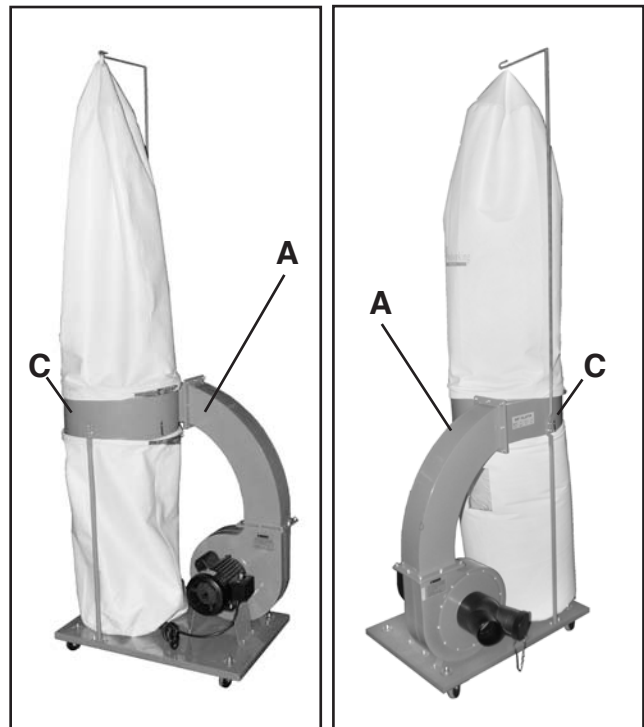


Fig. 9

Your dust collector should now look like the one in Fig. 9. (Model #DC2000Y - 1 micron bag model) Place the collector and filter bags (H) onto the collector and secure with the clamp (N) as shown in Fig. 10.

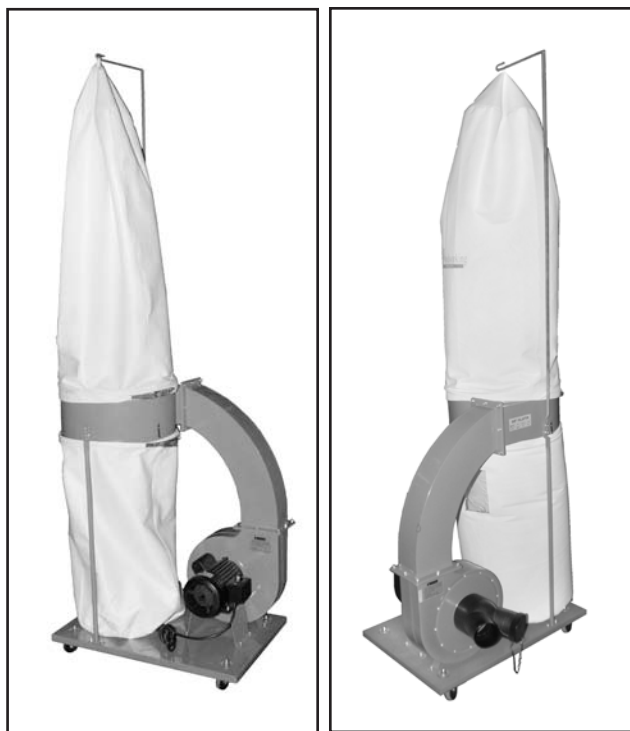


Fig. 9

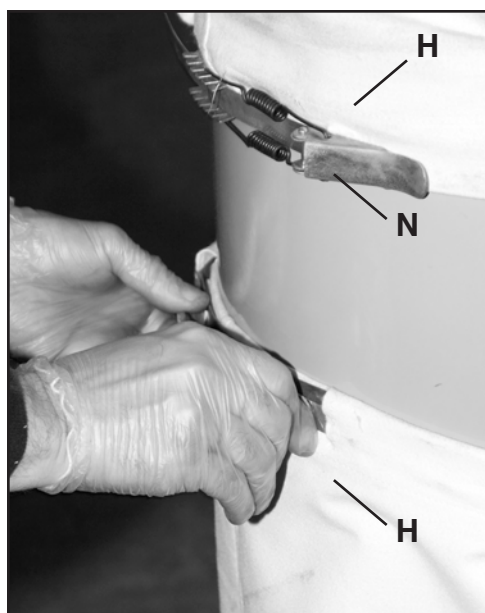


Fig. 10



**#DC2000Y**

After the bags are secure, the upper bag should be hung from the upper bag support (E) as shown in Fig. 12. The inlet wye (G) can now be placed on the intake hole of the fan/motor (B) assembly as shown in Fig. 14. Secure with Phillips head screw provided. The dust collector is now ready to be placed into service. Before connecting to a power source, be sure the source is properly grounded (see pg. 11). Also, check your voltage and amperage.

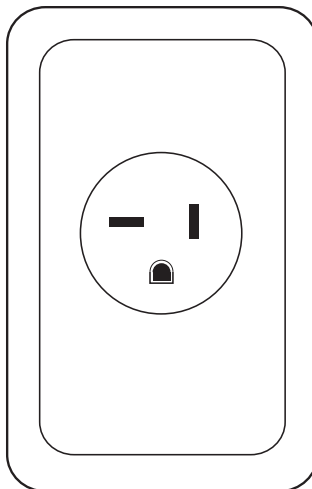
**#DC2000YCF.** Place canister on top of rim (see page 12 are included with the canister) then attach collection clear plastic trash bag not shown in Fig.13.



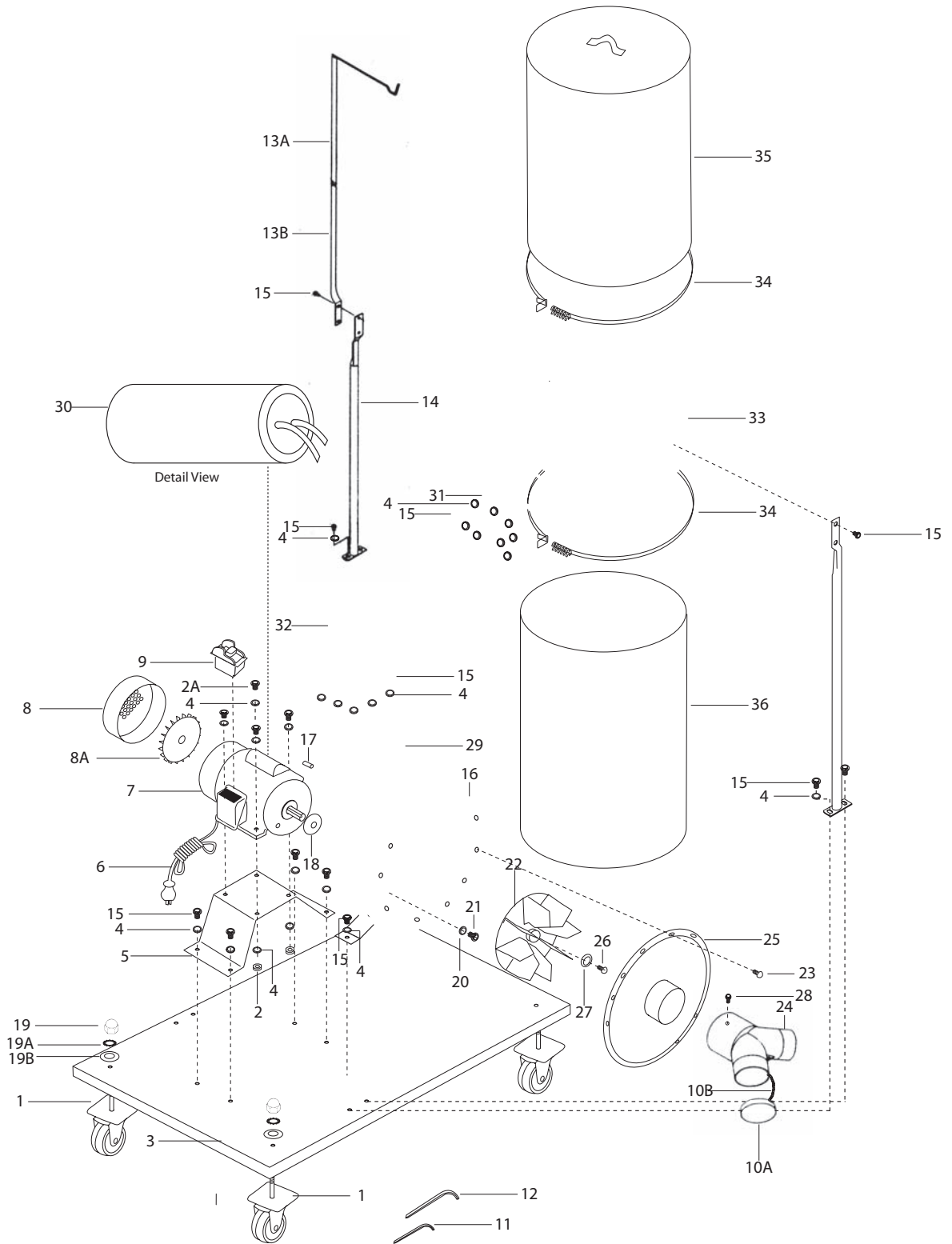


## Electrical Grounding

1. In the event of a malfunction or breakdown, grounding provides a path of least resistance for electric current to reduce the risk of electric shock. This dust collector is equipped with an electric cord having an equipment grounding conductor and a grounding plug. The plug must be plugged into a matching outlet that is properly installed and grounded in accordance with all local codes and ordinances.
2. Do not modify the plug provided, if it will not fit the outlet have the proper outlet installed by a qualified electrician.
3. Improper connection of the equipment grounding conductor can result in a risk of electrical shock. The conductor wire with insulation has an outer surface that is green. If repair or replacement of the electric cord or plug is necessary, do not connect the equipment to a live terminal.
4. Use only 3-wire extension cords that have 3-prong grounding plugs and 3-pole receptacles that accept the dust collector's plug.
5. Repair or replace damaged or worn cords immediately.
6. Attach your grounding wire either to one of your tools or to base of collector.



Part #	Part	Quantity	Size
1	Caster	4	2.5"
2	Nut	4	M8
2A	Hex head bolt	4	M* x 1.75 - 1" long
3	Base plate	1	33" x 22"
4	Washer	38	M8
5	Motor base	1	
6	Power cord	1	
7	Motor	1	
8	Motor housing cover	1	
8A	Motor cooling fan	1	
9	Switch	1	
10A	Cap Inlet	1	
10B	Chain	1	
11	Allen wrench 4mm	1	4MM
12	Allen wrench 5mm	1	5MM
13A	Upper bag support	1	
13B	Bottom bag support	1	
14	Collector support	2	
15	Hex head bolts	30	M8 x 1.25 - 3/4" long
16	Motor blower housing	1	
17	Key	1	3/16" x 1-3/8"
18	Rubber gasket	1	3"
19	Acorn Nut	4	M12 x 1.75
19A	External tooth washer	4	M12
19B	Flat washer	4	M12
20	Lock Washer	4	M10
21	Screw hex	4	M10 x 1.5 - 3/4" long
22	Impeller	1	10"
23	Phillips Screw	12	M6 x 1.0
24	Inlet wye	1	
25	6" inlet cover	1	
26	Reverse thread Screw hex	1	M8
27	Washer	1	M8
28	Screw hex	1	M5 x .8
29	Blower housing to connector gasket	1	7" x 8"
30	Capacitor	1	
31	Blower housing to collector gasket	1	7" x 8"
32	Blower housing outlet connector	1	5" x 30"
33	Collector ring	1	
34	Bag clamps	2	19"
35	Filter bag	1	
36	Collector bag	1	19" x 46"







9900 Global Rd. Philadelphia, PA 19115 • 1-800-377-7297  
[www.pennstateind.com](http://www.pennstateind.com)